

LED Downlight 40w

High Luminosity COB LEDs



LED Downlight - EFX-40WDL

LED Downlight 40w - EFX-40WDL

The Eco-FX LED Downlight offers high luminosity COB LEDs giving efficient heat dissipation (surface temperature 58°C, junction temperature 85°C) and produces a softer light. The long life driver offers constant current and voltage.

Technical 40w	
Product Code	EFX-40WDL
Size	Ø245mm x 110mm
Beam Angle	73.5°
Input Voltage	110-265Vac
Frequency	50/60 Hz
Transformer Output	40W
Running Current	950mA
Power Factor	0.93
Chip Set	Samsung
Efficiency (LOR)	95%
Colour Temperature	Warm White 2700-3300k Cool White 5500-6500k Pure White 4500-5500k
Lumen	Warm White 3600lm Cool White 3960lm Pure White 3800lm
Efficacy	Warm White 90lm/w Cool White 99lm/w Pure White 95lm/w
CRI	Warm White >85 Cool White >85 Pure White >85
Internal Temperature	53°
External Temperature (Front)	38°
External Temperature (Back)	47.3°
Operating Temperature	-40° / +50°
IP Rating	20



Eco-FX Limited

Office 1, 192 Shoreham Street
Sheffield S1 4SQ, UK

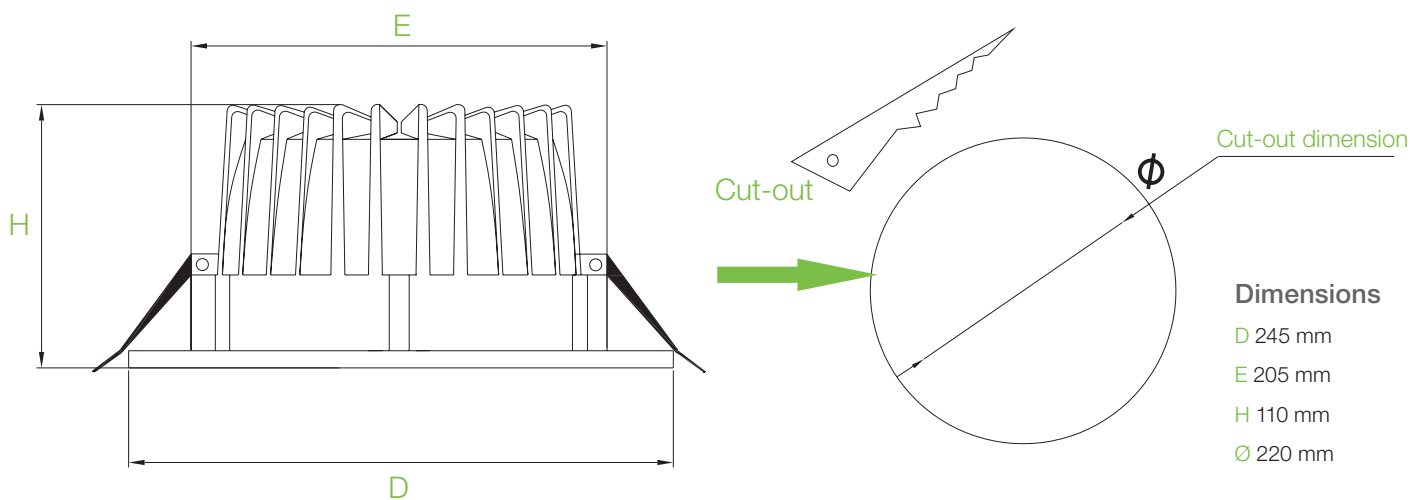
t: +44 (0) 114 321 9610
e: enquiries@eco-fx.co.uk

w: www.eco-fx.co.uk

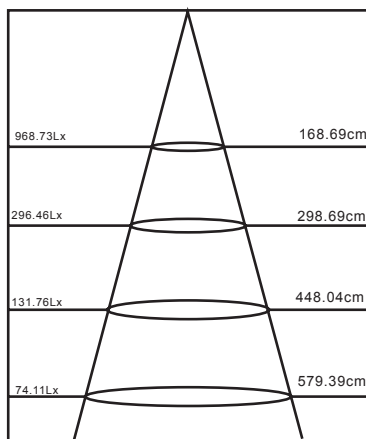
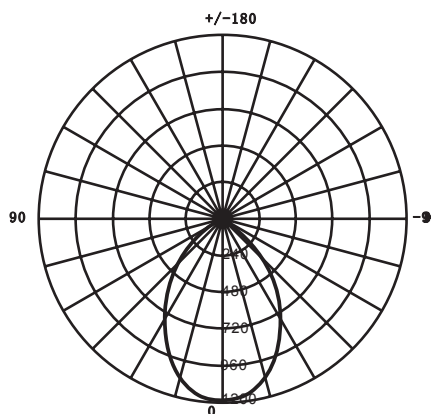
Issue August 2013

©Copyright 2013 - Eco-FX Limited

LED Downlight Dimensions and Cut-out view



LED Downlight Light Distribution and Illuminance



Beam Angle: 73.5°

Absolute Maximum Rating

Parameter	Rating
Housing Temperature	38°C
Operating Temperature	-40° – +50°C
IP Rating	20