

EcoFX  
LED lighting solutions

# EFX-XDMX512 Control System



**EFX-XJR-MVE-301**  
**EFX-XJR-MHW601A**  
**EFX-XJR-M16KB-N**  
**EFX-XJR-2S4X512**

Multi-function controller with superior load capability of data Long-distance transmission capacity and easy wiring etc. Compatible with a variety of LED driver IC and a variety of customized driver chip. Can control a variety of LED pixels, point light,high-power light and a variety of complex wiring light or shaped the pixels, can compatible with EFX-XDMX-512 standard protocols, stable performance, Cost-effective, it's the best choice of Indoor and Outdoor Lighting.



# Online Controller EFX-XJR-MVE-301



EFX-XJR-SVE4X512  
SUB-CONTROLLER EFX-XJR-SVE4X512

## Specification

Best controllability: Can control a variety of driver chips, M413, DM134, 6B595, LPD6803, SD600, MBI5031/5030 etc, Support RGB serial or parallel mode, Compatible EFX-XDMX512 standard protocols, connect DMX control master to establish lighting controlling network.

Longer transmission distance: Achieve ultra-long transmission 150 meters(measured 200 meters). Slaver controllers have relay function, Sun-Controller can be used as Repeater when far distance.

High Reliability: Using the latest patent technology, avoid Anti-static, lightning; The use of cutting-edge mathematical algorithms, The use latest 75mm chips, with simple hardware architecture to implement complex control functions, most improved the reliability and stability of products.

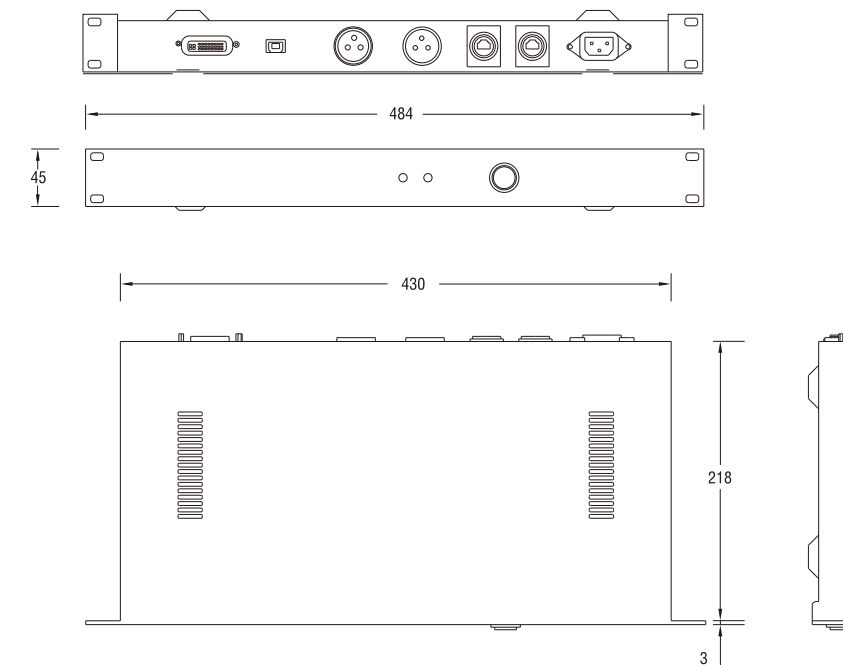
Using grayscale technology and anti-gamma correction technology, So that the actual display more physical sense of the human eye; The pixel adaptive progressive scan technology to effectively eliminate video produced by moving the tooth angle, smooth and natural picture show.

Higher software functions, easy to operate. Users can edit the various video, animation, graphics programs as broadcast; Meantime, easy to edit variety showing pattern program; To achieve separate display, can segmentation display.

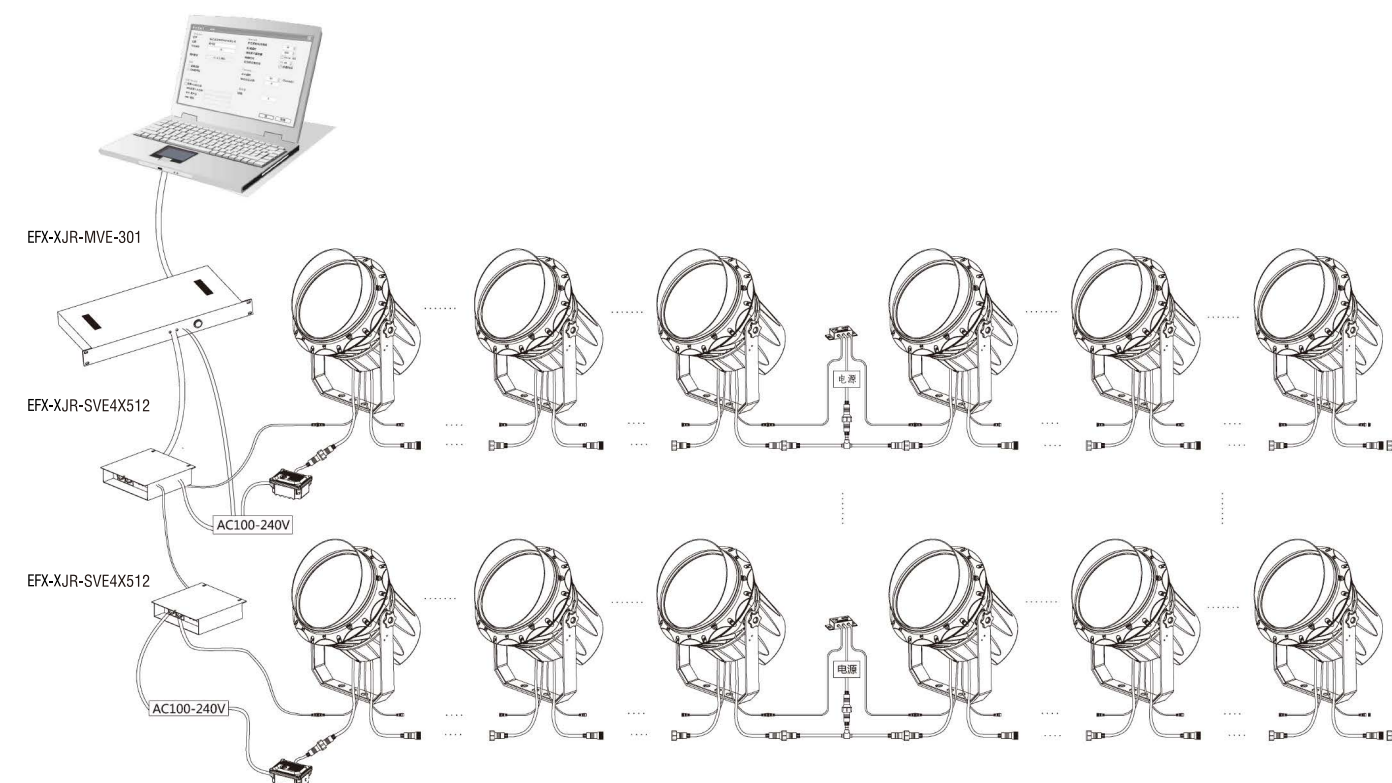
	EFX-XJR-MVE-301	EFX-XJR-SVE4X512
	AC100-240V	AC100-240V
	2048x96=196608Pix	512x4=2048pix
	255	255
	L430xW220xH45	L175xW165xH45
	-30-70°C	-30-70°C
	LED	

	MASTEREFX-XJR-MVE-301	Slaver EFX-XJR-SVE4X512
Working Voltage	AC100-240v	AC100-240v
Load Capacity	2048x96=196608Pix	4x512=2048 pixels
Grey Level	R,G,B each in 255 level	R,G,B each in 255 level
Dimension	L430xW220xH45	L175xW165xH45
Working Temperature	-30—70 C°	-30—70 C°
Spare Software	LED video	

## Product Dimension



## Wiring diagram



# Offline Controller EFX-XJR-MHW601A



Infrared remote control



SD Card



EFX-XJR-SVE4X512

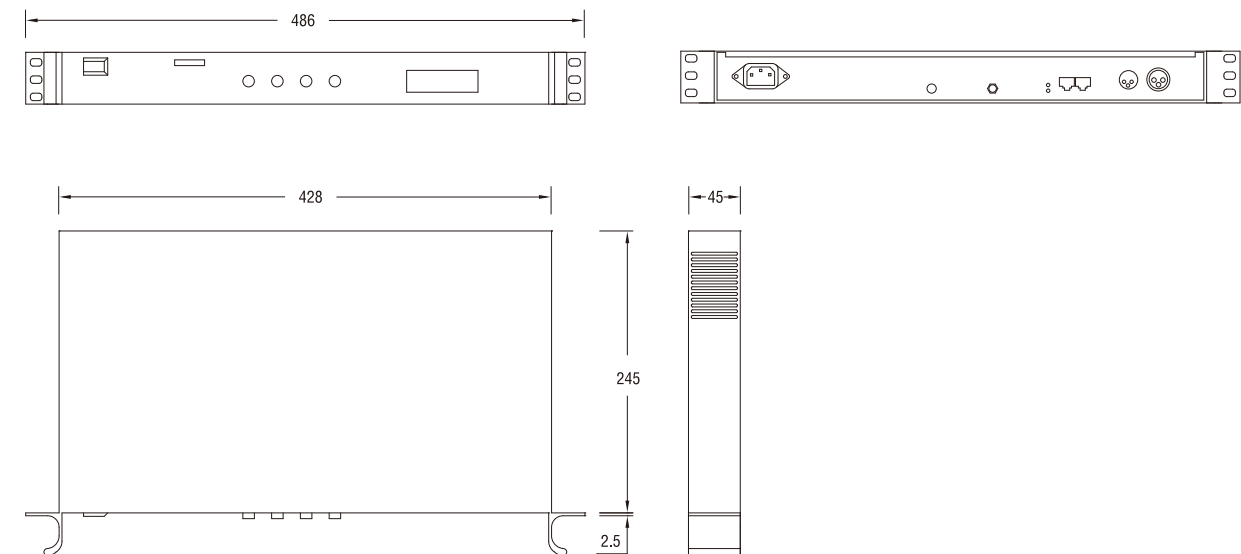
## Specification

Can set the date and time of program, such as holiday or weekday, and time.  
 Can connect with DMX console, to shift the program in real-time.  
 Using wireless technology, achieve multiple master controller working SYN.  
 Adjust the sending master to change the all the project speed and program. The semi diameter of sending controller is 2.5km.  
 Master-slaver distribution: excellent adjustability to various projects, easy to operate. Super load capacity: compatible with high speed SD card. Maximum control pixels is 65536(equivalent 8192m of 8 segments digital tube). It can control more than 100,000 pixels by multi-master controller connection.  
 More control functions: it can control various normal drive IC lights, and or various customized drive IC lights. Compatible with EFX-XDMX 512.  
 Electric isolation avoid noise: Master and slaver controller are isolated, but also between the slavers are isolated. It can be anti-static, lightning proof.  
 Super remote transmission: Adopting by the patent technology of data transmission, the system allow more than 100m between master controllers and slaver controllers.  
 Freedom to setup projects:each slaver controller can independent control one king light,can adjust the luminance and speed.  
 Customized software: easy to setup the lighting project system. Create lighting data by various methods, Refresh data fast.

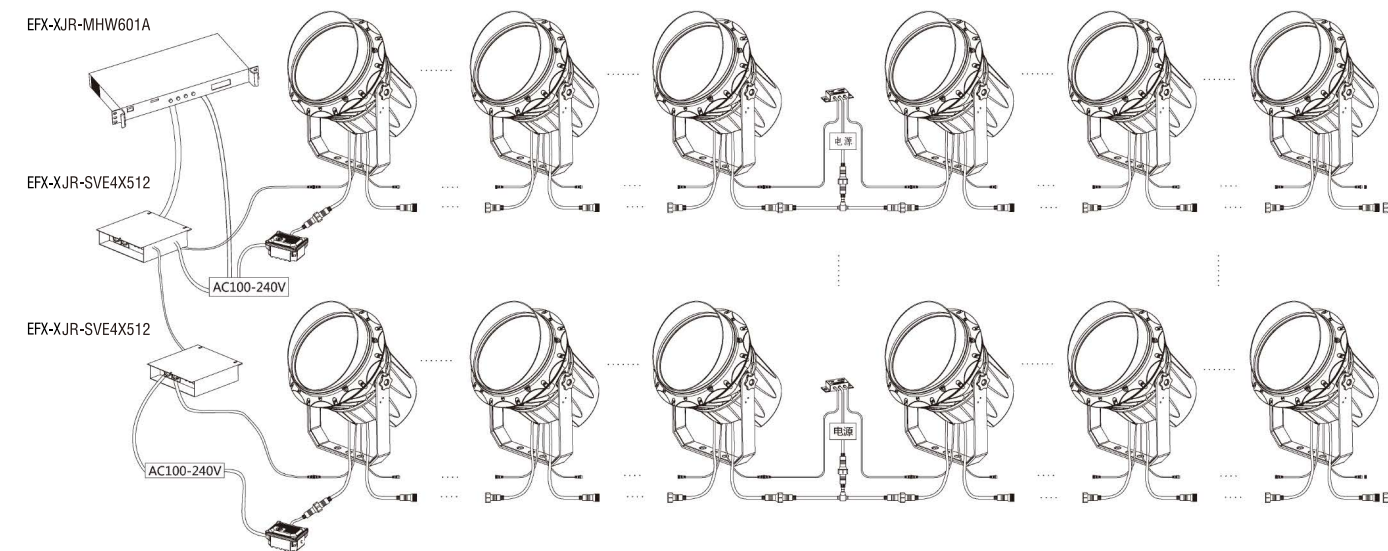
	EFX-XJR-MHW601A	EFX-XJR-SVE4X512
	AC100-240V	AC100-240V
	2048x32=65536Pix	512x4=2048pix
	255	255
	L428xW245xH45	L175xW165xH45
	-30-70°C	-30-70°C
	LED video	

	Master EFX-XJR-MHW601A	Slaver EFX-XJR-SVE4X512
Working Voltage	AC100-240v	AC100-240v
Load Capacity	2048x32=65536 pixels	4x512=2048 pixels
Grey Level	R,G,B each in 255 level	R,G,B each in 255 level
Dimension	L428xW245xH45	L175xW165xH45
Working Temperature	-30—70 C°	-30—70 C°
Spare Software	LED video	

## Product Dimension



## Wiring diagram





## Offline Controller EFX-XJR-M16KB-N



SD Card



EFX-XJR-SVE4X512  
SLAVER CONTROLLER EFX-XJR-SVE4X512

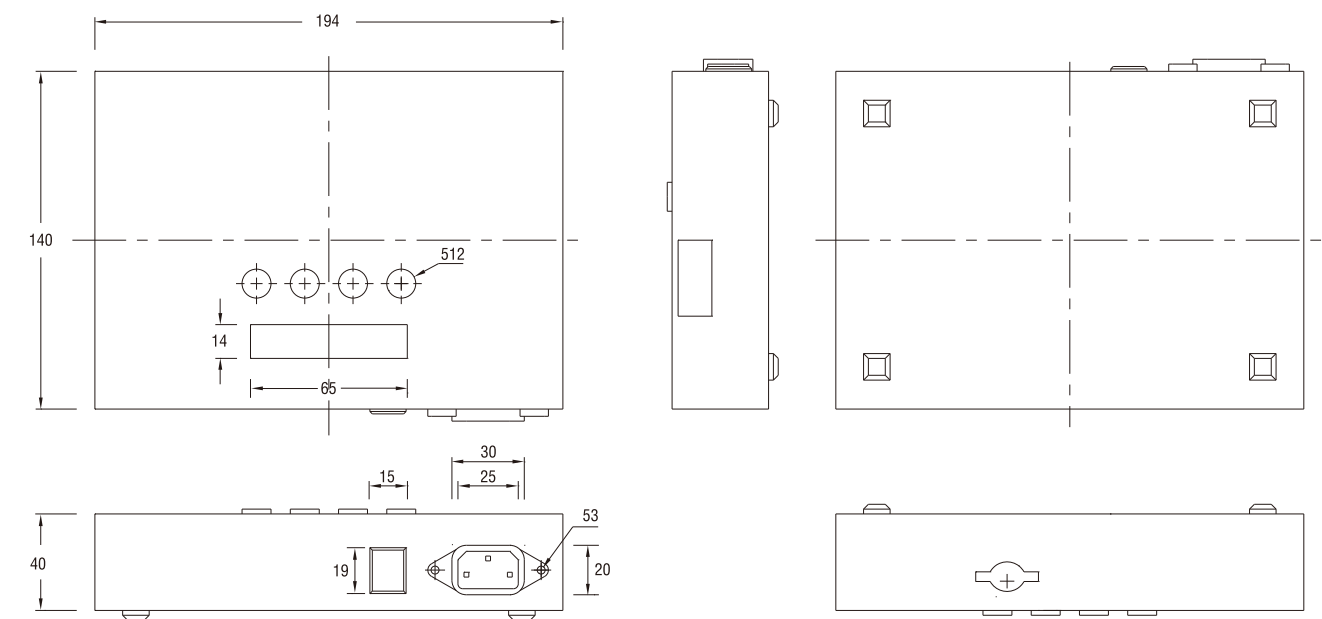
### Specification

Master-slaver distribution: excellent adjustability to various projects, easy to operate.  
 Super load capacity: Support speed SD Card(256M-4G byte), Maximum control pixels is 65536(equivalent 8192m of 8 segments digital tube).  
 More control functions: it can control various normal drive IC lights, and or various customized drive IC lights. Compatible with EFX-XDMX 512.  
 Electric isolation avoid noise: Master and slaver controller are isolated, but also between the slavers are isolated. It can be anti-static, lightning proof.  
 Super remote transmission: Adopting by the patent technology of data transmission, the system allow more than 100m between master controllers and slaver controllers.(Measured 200M);  
 Freedom to setup projects:each slaver controller can independent control one king light,can adjust the luminance and speed.  
 Each Slaver can output 4 ports,each port can max control 512 pixels.  
 Customized software: easy to setup the lighting project system. Create lighting data by various methods, Refresh data fast.  
 Powerful man-machine interface and synchronization functions, but also conducive to the use of non-professional people

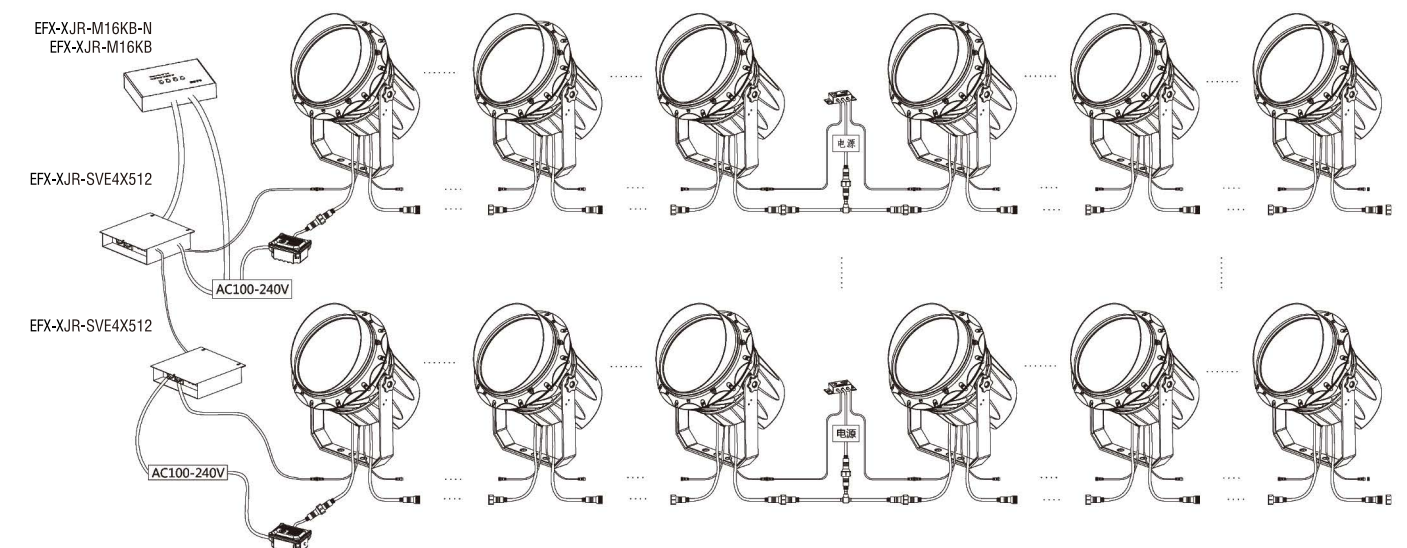
	EFX-XJR-M16KB	EFX-XJR-SVE4X512
	AC100~240V	AC100~240V
	2048x32=65536Pix	512x4=2048pix
	255	255
	L192xW143xH45	L175xW165xH45
	-30-70°C	-30-70°C
	LED	

	Master EFX-XJR-M16KB	Slaver EFX-XJR-SVE4X512
Working Voltage	AC100-240v	AC100-240v
Load Capacity	2048x32=65536 pixels	4x512=2048 pixels
Grey Level	R,G,B each in 255 level	R,G,B each in 255 level
Dimension	L192xW143xH45	L175xW165xH45
Working Temperature	-30—70 C°	-30—70 C°
Spare Software	LED video	

### Product Dimension



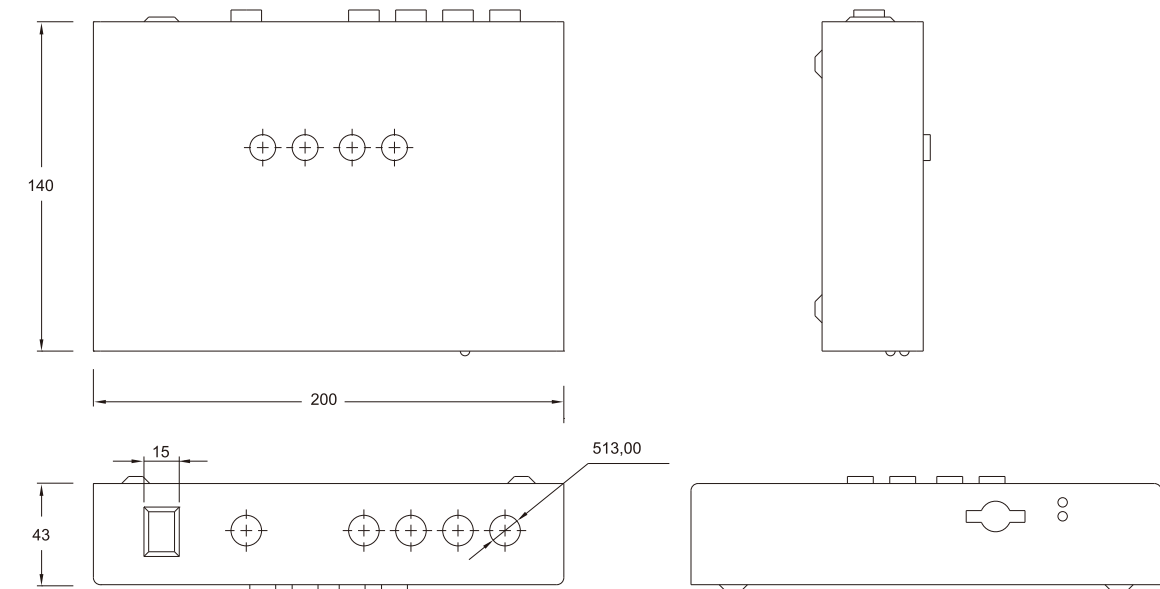
### Wiring diagram



## Work-alone EFX-XJR-2S4X512



### Product Dimension



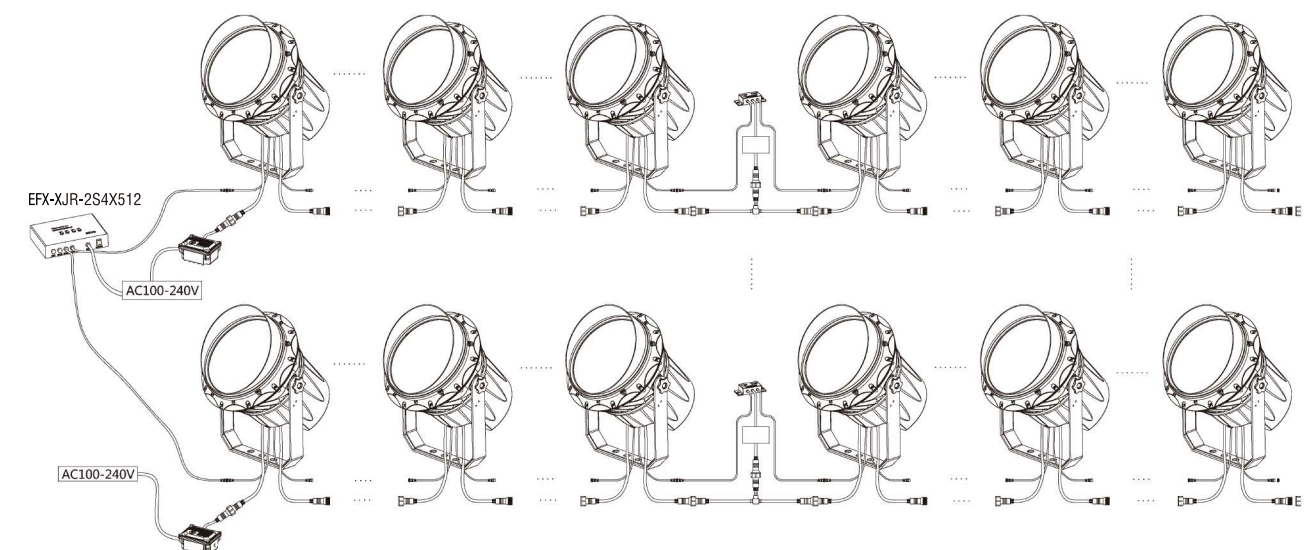
### Specification

Perfect compatible with EFX-XDMX512(1990) international standard protocol.  
More control functions:it can control various normal drive IC lights,and or various customized drice IC lights.  
High speed photoelectric isolated signal input and output,to ensure the control system safety.  
Control system ralize RGB 256 scales per color,can make more than 16.7M kinds color.  
Project setting agility:realize adjust the brightness and speed separately.  
Each controller can output 4 ports,each ports,each ports can control 512 (maximum)pixels  
Customized software:easy to setup the lighting project system.Create lighting data by various methods.Refresh data fast.  
System failure self-repair function.  
Accord with EMC electromagnetism compatibility,good anti-jamming capacity.

	EFX-XJR-2S4X512
	AC100-240V
	512x4=2048pix
	255
	L430xW220xH45
	-30-70°C
	LED

	SINGLE MASTER EFX-XJR-2S4X512
Working Voltage	AC100-240v
Load Capacity	4x512=2048 pixels
Grey Level	R,G,B each in 255 level
Dimension	L175xW165xH45
Working Temperature	-30-70 C°
Spare Software	LED video

### Wiring diagram

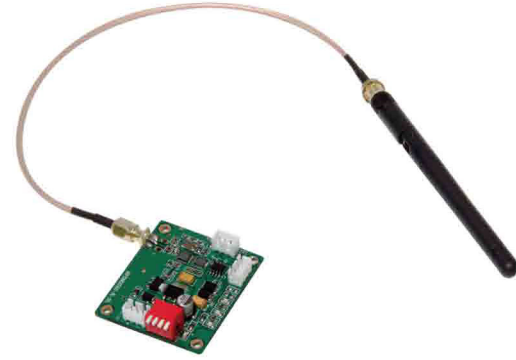


Accessories

Address Coding Device  
EFX-XJRW-XMQ-001



Wireless Module  
EFX-XJRW-WX-001



Signal Relay Amplifier  
EFX-XJRW-FDQ-001  
EFX-XJRW-FDQ-002  
EFX-XJRW-FDQ-003  
EFX-XJRW-FDQ-004  
EFX-XJRW-FDQ-005



Differential Amplifier  
EFX-XJRW-FDQ-006A  
EFX-XJRW-FDQ-006B



Water-proof Connector  
EFX-XJRW-CT-001



Water-proof Box  
EFX-XJRW-FSX-003



Water-proof Box  
EFX-XJRW-FSX-001



Water-proof Box  
EFX-XJRW-FSX-002



Power+Signal Extension Cord

EFX-XDX2-M21G-4P/M21M-4P-(2x0.5mm<sup>2</sup>+2x1.0mm<sup>2</sup>)-1500  
EFX-XDX2-M18G-5P/M18M-5P-(2x0.5mm<sup>2</sup>+GND+2x1.0mm<sup>2</sup>)-1000  
EFX-XDX2-M21G-5P/M21M-5P-(2x0.5mm<sup>2</sup>+GND+2x1.0mm<sup>2</sup>)-1000



Signal Extension Cord

EFX-XXH2-M12G-3P/M12M-3P-(2x0.5mm<sup>2</sup>+GND)-1000  
EFX-XXH2-M18G-3P/M18M-3P-(2x0.5mm<sup>2</sup>+GND)-1000  
EFX-XXH2-M18G-5P/M18M-5P-(2x0.5mm<sup>2</sup>+GND)-200  
EFX-XXH2-M21G-4P/M21M-4P-(2x0.5mm<sup>2</sup>+GND)-200  
EFX-XXH2-M21G-5P/M21M-5P-(2x0.5mm<sup>2</sup>+GND)-200



Signal Three Joint

EFX-XXH3-M12G-3P/M12M-3P/M12M-3P-(2x0.5mm<sup>2</sup>+GND)-(200+2000)  
EFX-XXH3-M18G-3P/M18M-3P/M18M-3P-(2x0.5mm<sup>2</sup>+GND)-(200+2000)



Power+Signal Three Joint

EFX-XDX3-M21G-4P/M21M-4P-(2x0.5mm<sup>2</sup>+2x1.0mm<sup>2</sup>)-(300+1000)  
EFX-XDX3-M21G-5P/M21M-5P-(2x0.5mm<sup>2</sup>+GND+2x1.0mm<sup>2</sup>)-(300+1000)  
EFX-XDX3-M18G-5P/M18M-5P-(2x0.5mm<sup>2</sup>+GND+2x1.0mm<sup>2</sup>)-(300+1000)



Power Three Joint

EFX-XDY3-M12G-2P/M12M-2P-(2x1.0mm<sup>2</sup>)-(300+1000)  
EFX-XDY3-M21G-2P/M21M-2P-(2x1.5mm<sup>2</sup>)-(300+1000)  
EFX-XDY3-M22G-3P/M22M-3P-(2x1.5mm<sup>2</sup>)-(300+1000)  
EFX-XDY3-M22G-3P/M22M-3P-(2x2.5mm<sup>2</sup>)-(300+1000)



Power Extension Cord

EFX-XDY2-M12G-2P/M12M-2P-(2x1.0mm<sup>2</sup>)-1000  
EFX-XDY2-M21G-2P/M21M-2P-(2x1.5mm<sup>2</sup>)-1000  
EFX-XDY2-M22G-3P/M22M-3P-(2x1.5mm<sup>2</sup>)-1000  
EFX-XDY2-M22G-3P/M22M-3P-(2x2.5mm<sup>2</sup>)-1000



Network Wires



Rj45  
Fixing Plug  
EFX-XJRW-CT-002



[www.eco-fx.co.uk](http://www.eco-fx.co.uk)

**EcoFX**

LED lighting solutions

Office 1, 192 Shoreham Street  
Sheffield S1 4SQ, UK

**T: +44(0) 114 321 9610**

**E: [enquiries@eco-fx.co.uk](mailto:enquiries@eco-fx.co.uk)**

Global Partner

**Eco-FX**

Smarter LED Lighting Solutions

Australia

