



# LED Lawn Light

The Application of Occasions:  
Mainly used for Lawn, garden, square, residential area.

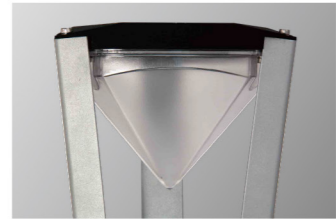
## EFX-XJRK

1/2/3/4/5/6

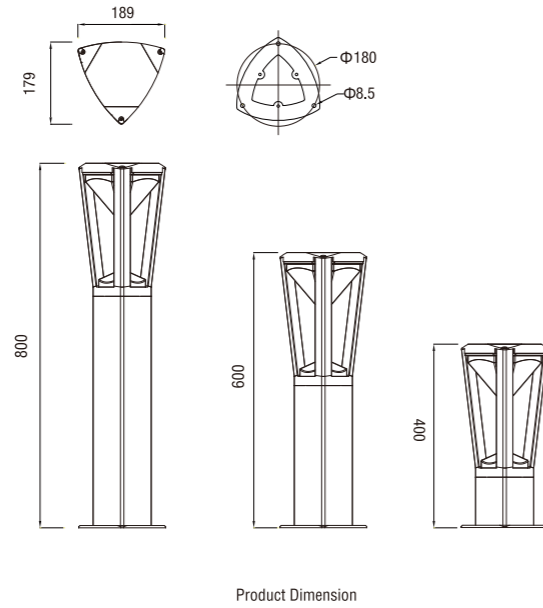
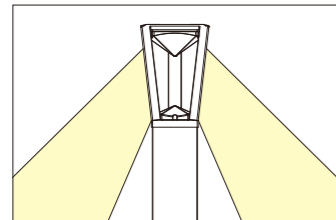
The body adopts both alloy aluminum and high-pressed die-casting materials, with surface anti-aging and antistatic spray treatment. The diffuser is made of prominent Polycarbonate materials with good aging and ultra-violet resistance performance. Moreover, the protection grade can reach IP65, superior than traditional lawn lights. The light centrally radiating to the surrounding, decorates the lawn. In such a way, the light not only beautifies the environment, but also guides people the way with its excellent practicability. Also, assembly and disassembly is very convenient and safe.



## EFX-XJRK1-3



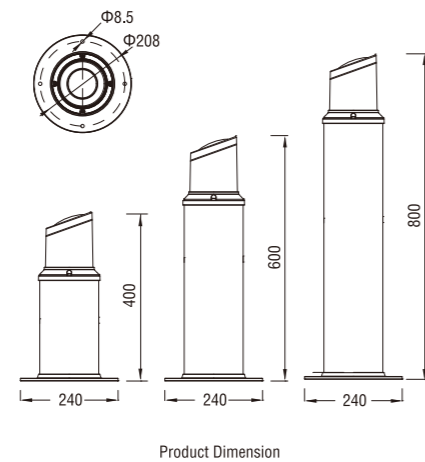
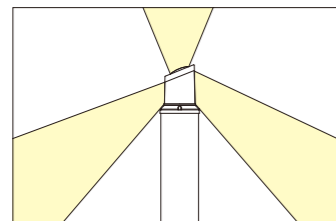
Light through the diamond-shape, illuminates gorgeously



## EFX-XJRK2-3



The diffuser is fabricated by PC materials with close structural connection

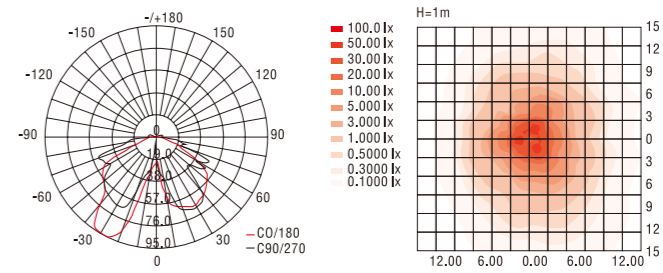


### Product Description

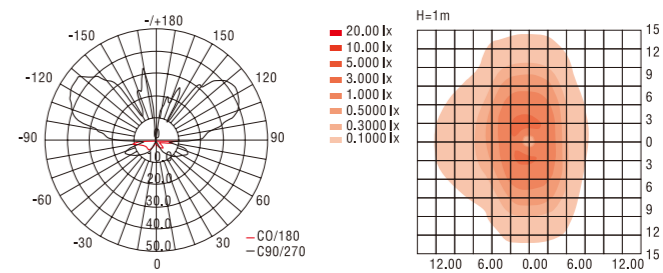
1. The body adopts both alloy aluminum and high-pressed die-casting materials, with surface anti-aging and antistatic spray treatment.
2. The diffuser is made of prominent Polycarbonate materials with good aging and ultra-violet resistance performance.
3. The protection grade can reach IP65, superior than traditional lawn lights.
4. The light uses high-power LEDs.

### Light Distribution Curve

#### EFX-XJRK1-3



#### EFX-XJRK2-3



### Specification

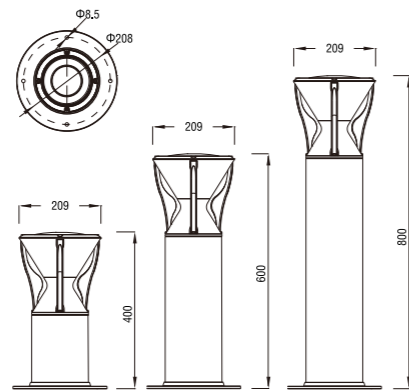
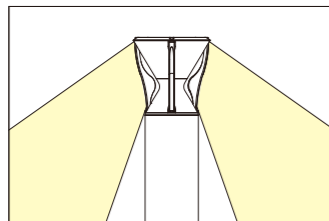
Product Code	EFX-XJRK1-3	EFX-XJRK2-3
LED Quantity	3pcs	3pcs
Rated Power	10.5W	10.5W
Input Voltage	AC100-240V	AC100-240V
Frequency Range	50/60Hz	50/60Hz
Input Current	Max 0.1A	Max 0.1A
Color	W/R/G/B	W/R/G/B
Lamp Luminous Flux	279 lm	212 lm
Working Ambient Temperature	-25°C~50°C	-25°C~50°C
Working Ambient Humidity	10%~90%	10%~90%
Life	> 30000H	> 30000H
Protection Grade	IP65	IP65
Net Weight	(2.3/2.8/3.3) (9.2/11.2/13.2)	(1.5/1.9/2.6) (6.0/7.6/10.4)
Gross Weight	(2.8/3.4/4.1) (11.2/13.6/16.4)	(2.4/2.9/3.6) (9.6/11.6/14.4)
Packing Size(mm)	485x245x245 (400) 685x245x245 (600) 880x245x245 (800)	452x295x310 (400) 652x295x310 (600) 852x295x310 (800)
	515x515x570 (400) 4 715x515x570 (600) 4 915x515x570 (800) 4	475x615x680 (400) 4 675x615x680 (600) 4 875x615x680 (800) 4

All parameters are measured at 25°C ambient temperature, 35% humidity experimental environment

## EFX-XJRK3-3



Diffuser using PC design



Product Dimension

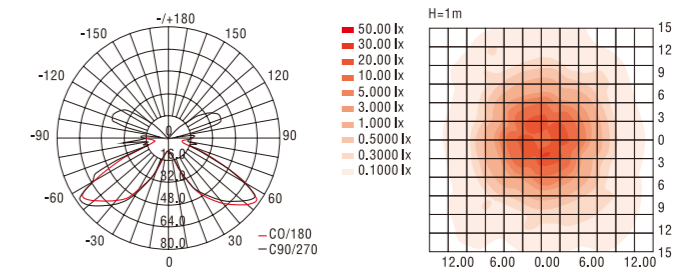


### Product Description

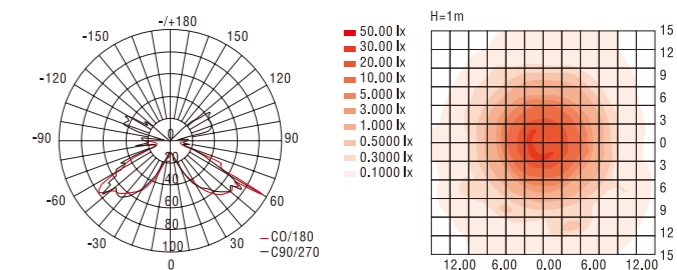
1. The body adopts both alloy aluminum and high-pressed die-casting materials, with surface anti-aging and antistatic spray treatment.
2. The diffuser is made of prominent Polycarbonate materials with good aging and ultra-violet resistance performance.
3. The protection grade can reach IP65, superior than traditional lawn lights.
4. The light uses high-power LEDs.

### Light Distribution Curve

#### EFX-XJRK3-3



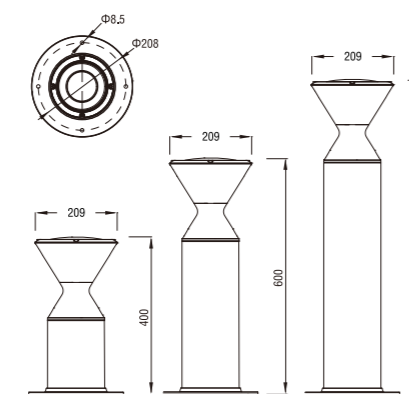
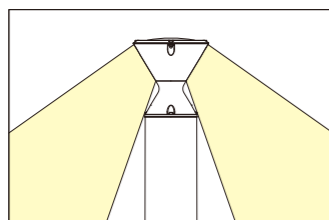
#### EFX-XJRK4-3



## EFX-XJRK4-3



Diffuser using PC design



Product Dimension

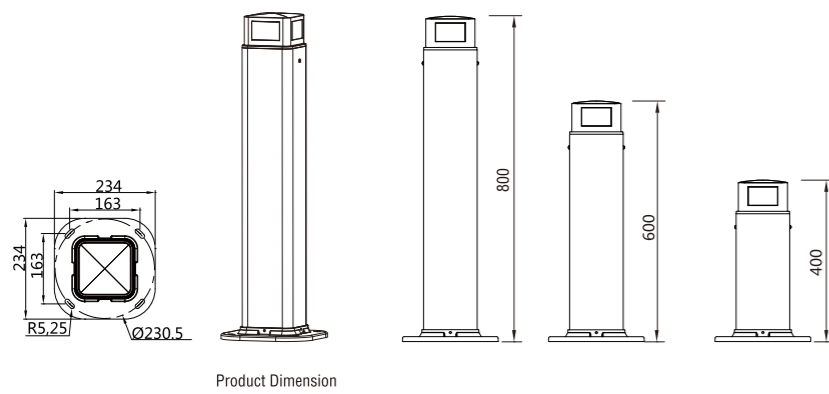
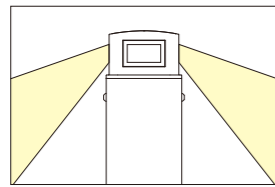


### Specification

Product Code	EFX-XJRK3-3	EFX-XJRK4-3
LED Quantity	3pcs	3pcs
Rated Power	10.5W	10.5W
Input Voltage	AC100-240V	AC100-240V
Frequency Range	50/60Hz	50/60Hz
Input Current	Max 0.1A	Max 0.1A
Color	W/R/G/B	W/R/G/B
Lamp Luminous Flux	206 lm	239 lm
Working Ambient Temperature	-25°C~50°C	-25°C~50°C
Working Ambient Humidity	10%~90%	10%~90%
Life	> 30000H	> 30000H
Protection Grade	IP65	IP65
Net Weight	(1.4/2.2/3.0) (5.6/8.8/11.6)	(1.4/2.3/2.9) (5.6/9.2/11.6)
Gross Weight	(2.5/3.4/4.2) (10.0/13.6/16.8)	(2.3/3.2/3.8) (9.2/12.8/15.2)
Packing Size(mm)	452x295x310 (400) 652x295x310 (600) 852x295x310 (800) 475x615x680 (400) 4 675x615x680 (600) 4 875x615x680 (800) 4	452x295x310 (400) 652x295x310 (600) 852x295x310 (800) 475x615x680 (400) 4 675x615x680 (600) 4 875x615x680 (800) 4

All parameters are measured at 25°C ambient temperature, 35% humidity experimental environment

## EFX-XJRK5-4

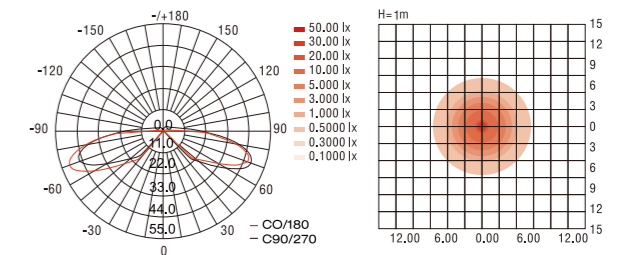


### Product Description

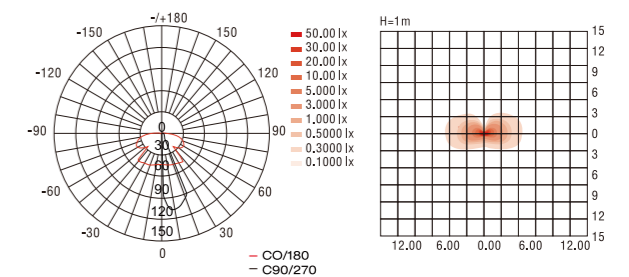
- 1, The lamp body uses alloy and high-pressure die-casting aluminum material with anti aging and electrostatic plastic-sprayed surface treatment.
- 2, The diffuser uses importing PC material, anti aging and ultraviolet radiation.
- 3, The protection grade is IP65 that is preponderant than the traditional lawn lights.
- 4, Lighting source uses high power LEDs or energy saving, various power for your reference.

### Light Distribution Curve

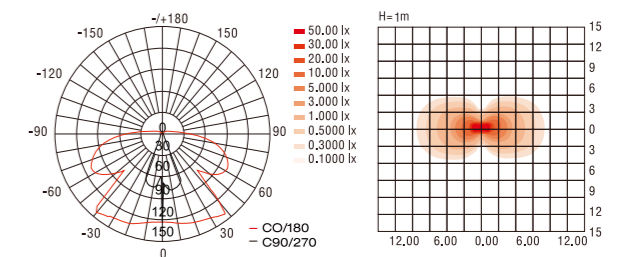
#### EFX-XJRK5-4



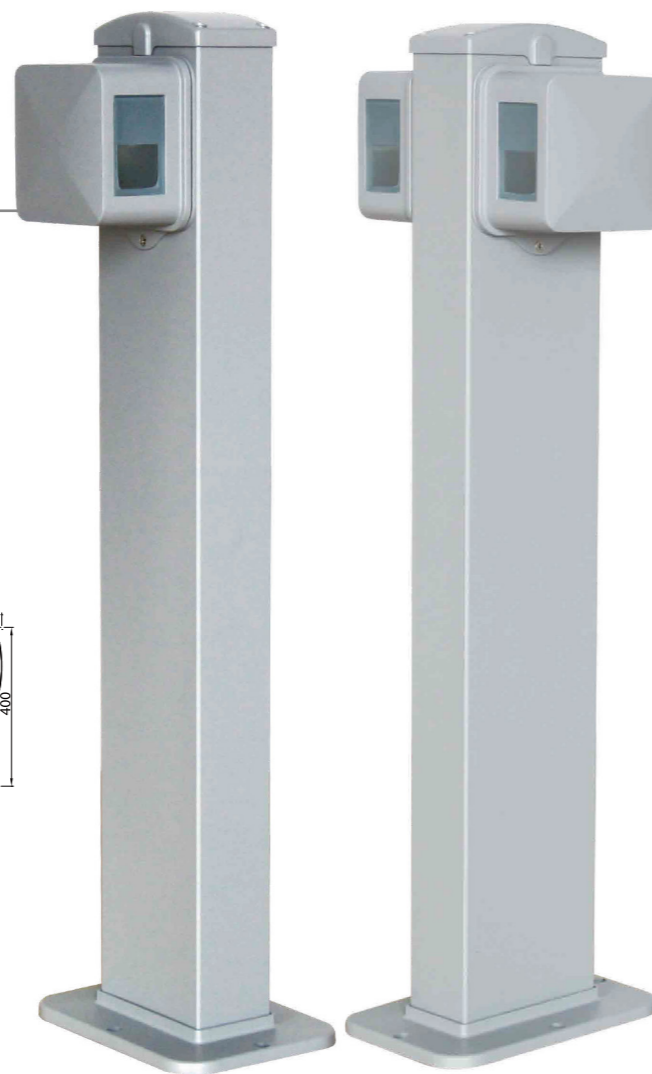
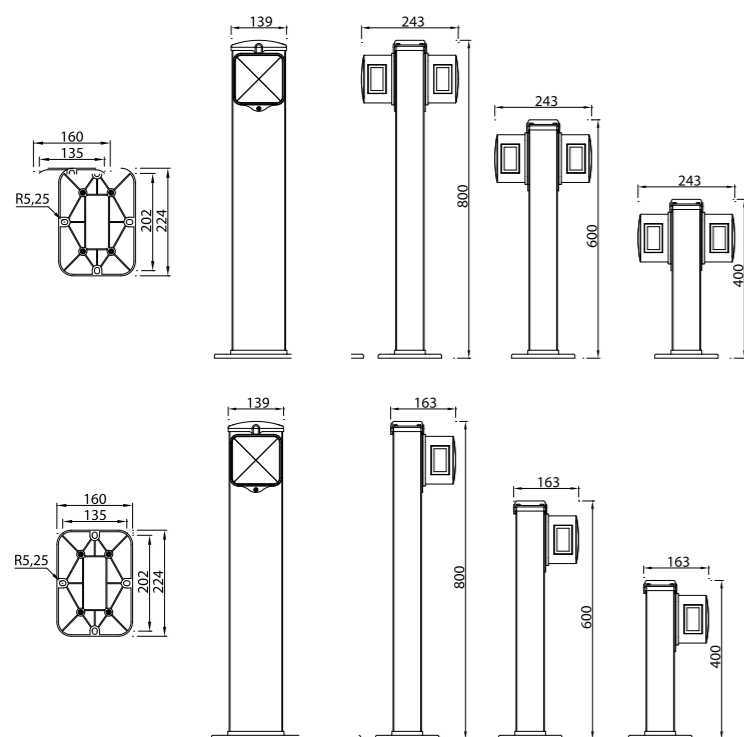
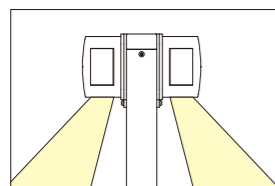
#### EFX-XJRK6-1



#### EFX-XJRK6-2



## EFX-XJRK6-1/2

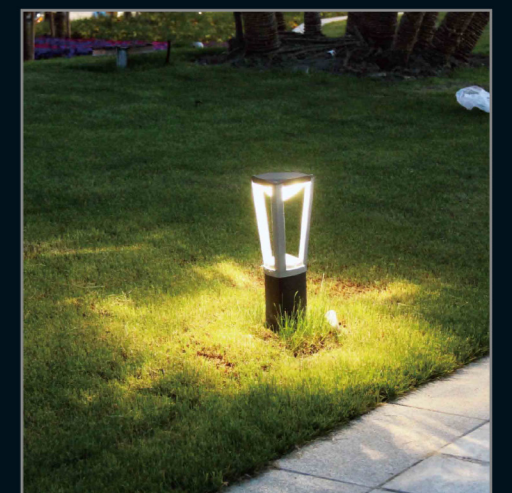
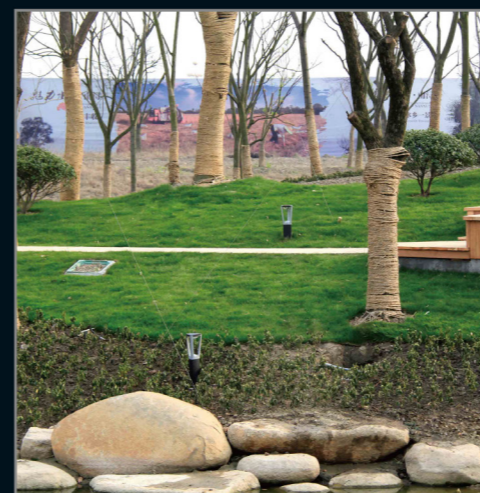
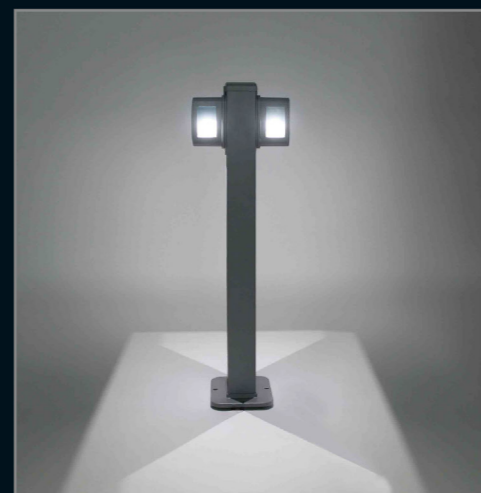


### Specification

Product Code	EFX-XJRK5-4	EFX-XJRK6-1/2
LED Quantity	4pcs	3pcs/6pcs
Rated Power	12.5W	9.4W/19.0W
Input Voltage	AC100-240V	AC100-240V
Frequency Range	50/60Hz	50/60Hz
Input Current	Max 0.1A	Max 0.2A
Color	R/G/B/W	R/G/B/W
Lamp Luminous Flux	278 lm	107lm/288lm
Working Ambient Temperature	-25°C~50°C	-25°C~50°C
Working Ambient Humidity	10%~90%	10%~90%
Life	> 30000H	> 30000H
Protection Grade	IP65	IP65
Net Weight	(1.19/1.69/2.19) (4.76/6.76/8.76)	(1.23/1.73/2.23) (4.92/6.92/8.92)
Gross Weight	(1.41/1.19/2.41) (5.64/7.64/9.64)	(1.45/1.95/2.45) (5.8/7.8/9.8)
Packing Size (mm)	445x295x300 (400) 645x295x300 (600) 845x295x300 (800)	455x280x300 (400) 655x280x300 (600) 855x280x300 (800)
	465x605x610 (400) 4 665x605x610 (600) 4 865x605x610 (800) 4	475x575x610 (400) 4 675x575x610 (600) 4 875x575x610 (800) 4

All parameters are measured at 25°C ambient temperature, 35% humidity experimental environment

# LED Lawn Light



[www.eco-fx.co.uk](http://www.eco-fx.co.uk)

**EcoFX**

LED lighting solutions

Office 1, 192 Shoreham Street  
Sheffield S1 4SQ, UK

**T: +44(0) 114 321 9610**

**E: [enquiries@eco-fx.co.uk](mailto:enquiries@eco-fx.co.uk)**

Global Partner

**Eco-FX**

Smarter LED Lighting Solutions

Australia

