

# LED Bar 8.8w

Multi-purpose LED Light Fitting



LED Bar - EFX-570MLB

## LED Bar 8.8w - EFX-570MLB

The Eco-FX LED Bar features patented Tri Chip technology which offers excellent thermal management and provides a life expectancy of 30,000 hours minimum. Available in various pitch options and custom lengths up to 2 metres. This dimmable LED Bar comes in red, blue, green, amber and RGB options.

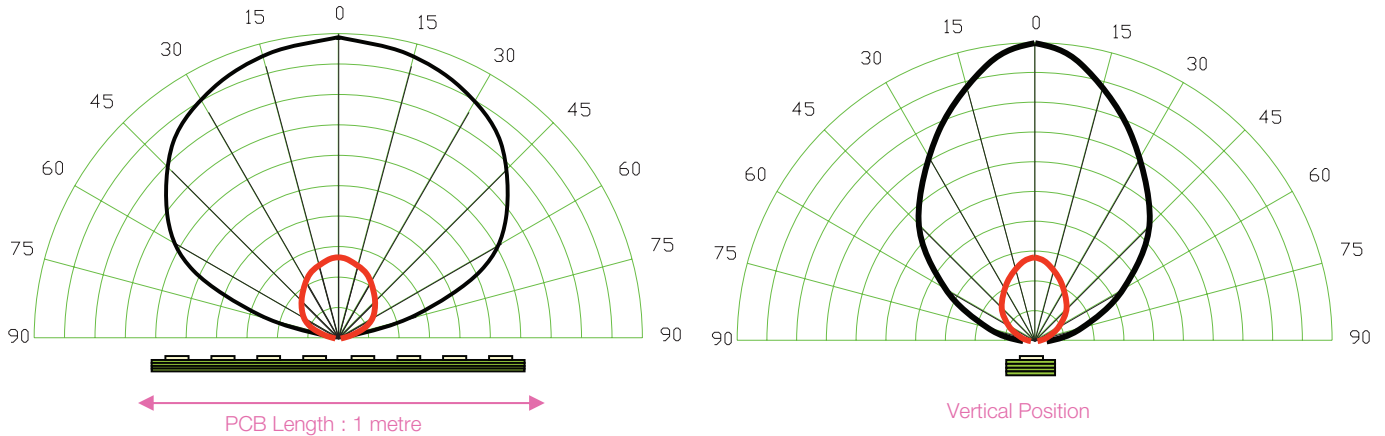
Technical 8.8w	
Product Code	EFX-570MLB
Size	570mm x 20mm x 7.8mm
Beam Angle	120°
Input Voltage	110-265Vac
Frequency	50/60 Hz
Transformer Output	8.8W 12VDC
Running Current	720mA
Power Factor	0.95
Chip Set	3020 SMD
Efficiency (LOR)	98%
Colour Temperature	Warm White 2700-3250k
Lumen	Warm White 632lm
Efficacy	Warm White 71.81 lm/w
CRI	Warm White >80
Internal Temperature	45°
Operating Temperature	-40° / +50°
IP Rating	44



### Photometric Data

Relative brightness from the degree of the offset angle

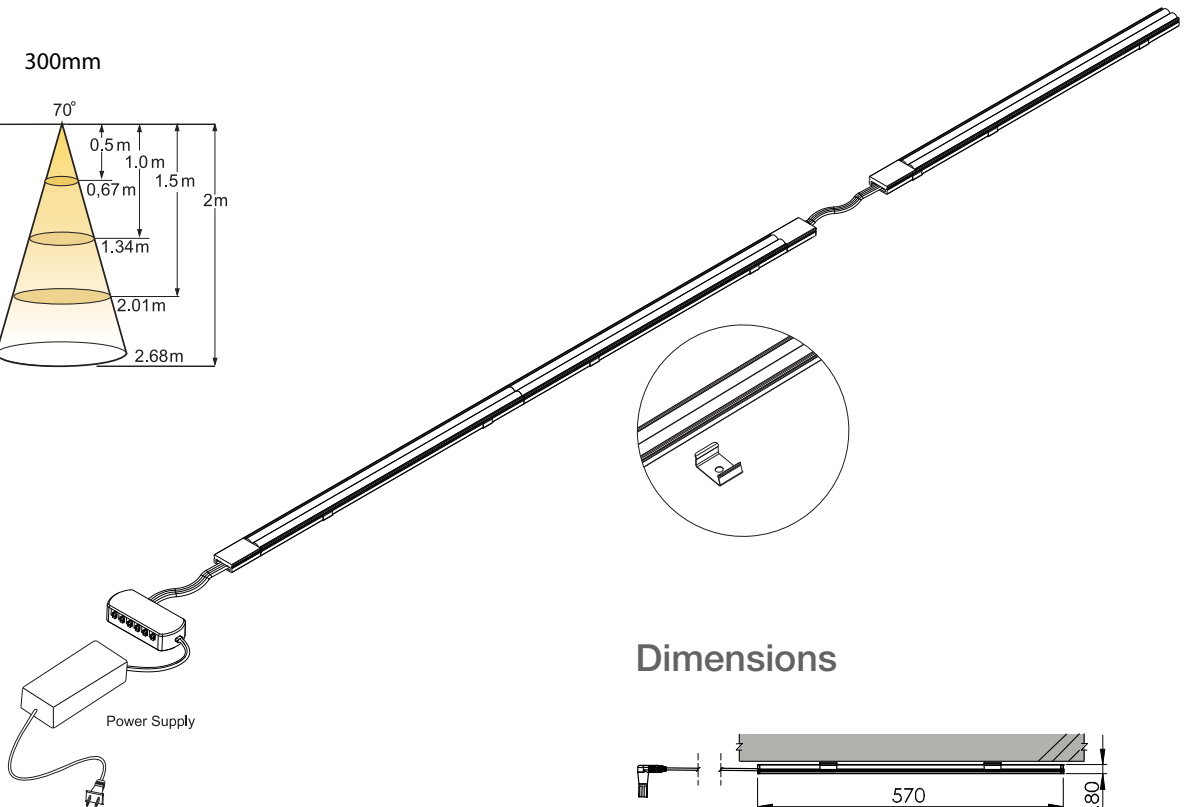
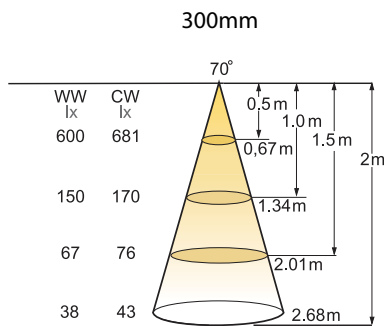
— 1m distance  
— 2m distance



Chip LED 3020 SMD

Various levels of IP rating -up to IP65.

Length of LED BAR-Is adjustable by using different PCB sizes.



### Dimensions

