

# LED Bar 1.44w

Multi-purpose LED Light Fitting complete with LSOH cable

LED Bar - EFX-R320MLB



## LED Bar 1.44w - EFX-R320MLB

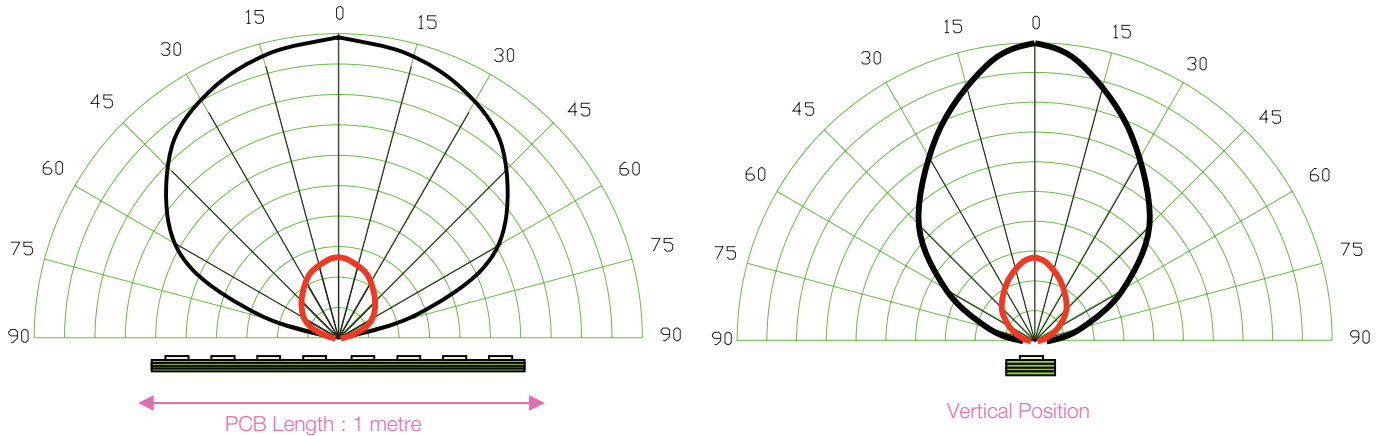
The Eco-FX LED Bar features patented Tri Chip technology which offers excellent thermal management and provides a life expectancy of 30,000 hours minimum. Available in various pitch options and custom lengths up to 2 metres. This dimmable LED Bar comes in red, blue, green, amber and RGB options.

Technical 1.44w	
Product Code	EFX-R320MLB
Size	318mm x 20mm x 7.8mm
Beam Angle	120°
Input Voltage	110-265Vac
Frequency	50/60 Hz
Transformer Output	1.44W 12VDC
Running Current	360mA
Power Factor	0.95
Chip Set	3020 SMD
Efficiency (LOR)	98%
Colour Temperature	Warm White 2700-3250k
Lumen	Warm White 156 lm
Efficacy	Warm White 108 lm/w
CRI	Warm White >80
Internal Temperature	45°
Operating Temperature	-40° / +50°
IP Rating	44
Cable	LSOH

### Photometric Data

Relative brightness from the degree of the offset angle

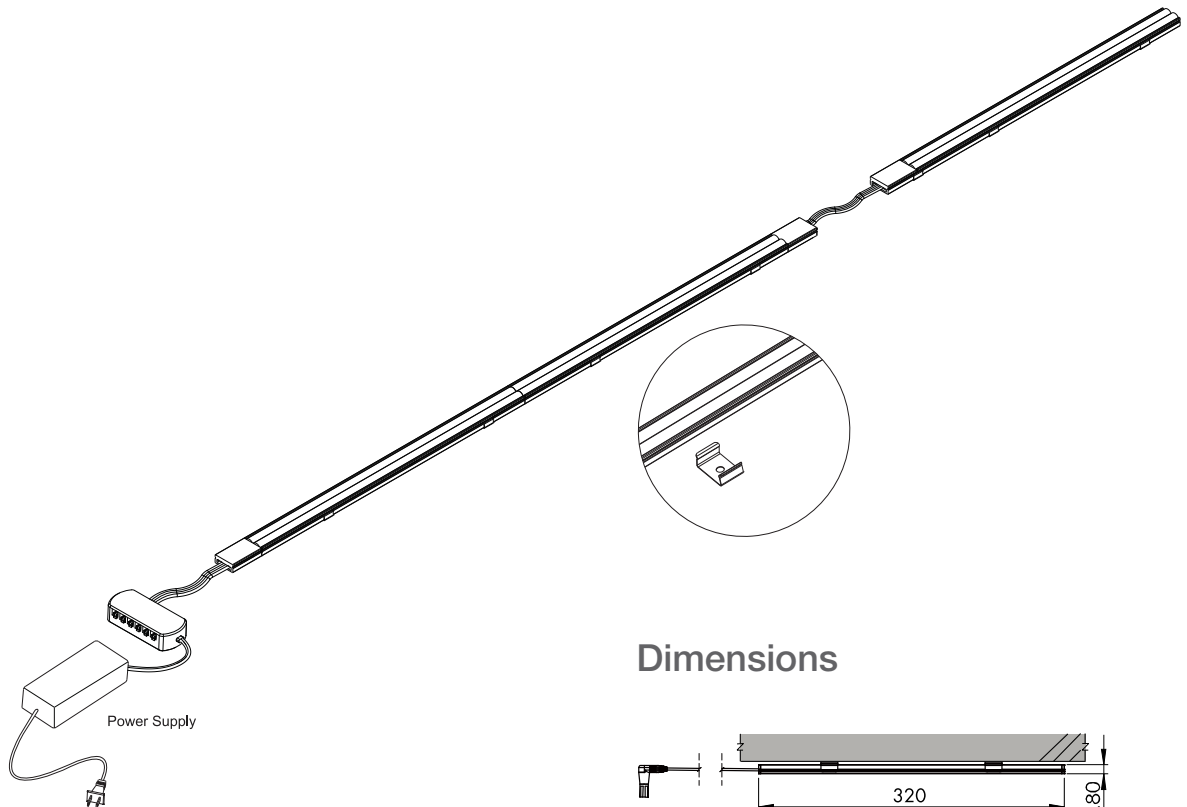
— 1m distance  
— 2m distance



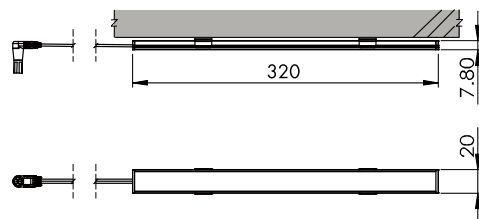
Chip LED 3020 SMD

Various levels of IP rating -up to IP65.

Length of LED BAR-Is adjustable by using different PCB sizes.



### Dimensions



## Cable Specifications

Technical Data	Values at +20° C		Unit	
Conductor Resistance		Max: 92	Ω/km	
Insulation Resistance		Min: 1500	MΩ x km	
Test Voltage		2	KV DC	
Voltage Rating		240	V AC	
Weight		Approx. 20	g / m	
Temperature Rating		-40/+80	°C	
Core Current Rating		Max: 5	Amps at 40°C ambient air temp.	
RoHS Compliant. All dimensions in mm, unless otherwise stated.				
Pos	Description	Dimension	Overall Diameter	Remarks
1.	Tin plated copper conductor Insulation of HFI 90	24 AWG	0,60 1,20	19x0,13
2.	Binder		2,6	
3.	Jacket of HFS 80T, black	Thickness 0,8	4,2 ± 0,2	

Low smoke and halogen free (LSOH)

