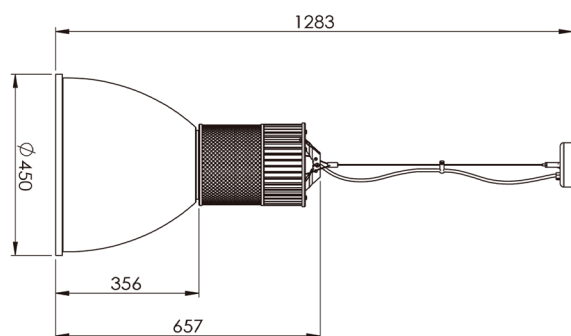


# LED High Bay 90w



LED High Bay - EFX-RPLF90W



LED High Bay - EFX-RPLF90W

The Eco-FX LED High Bay is available in various LED configurations and wattages. Available in black, white and grey. Aluminium reflector, steel body, heat resistance powder coating.

Technical	
Product Code	EFX-RPLF90W
Size	Ø450mm x 657mm
Beam Angle	40°
Input Voltage	110-265Vac
Frequency	50/60 Hz
Transformer Output	90W 48VDC
Running Current	2100mA Max
Power Factor	0.9
Chip Set	CREE LED-XML
Efficiency (LOR)	95%
Colour Temperature	Cool White 5000k
Lumen	Cool White 9000lm
Efficacy	Cool White 100lm/w
CRI	Cool White >70+
LED Life	50,000Hrs
Operating Temperature	-40° / +50°
IP Rating	20

