

LED Downlight 20w

High Luminosity COB LEDs



LED Downlight - EFX-20WDL

Technical 20w

Product Code	EFX-20WDL
Size	Ø190mm x 80mm
Beam Angle	73.5°
Input Voltage	110-265Vac
Frequency	50/60 Hz
Transformer Output	20W
Running Current	600mA
Power Factor	0.93
Chip Set	Epistar
Efficiency (LOR)	95%
Colour Temperature	Warm White 2700-3300k Cool White 4500-5500k
Lumen	Warm White 1560lm Cool White 1800lm
Efficacy	Warm White 78 lm/w Cool White 90 lm/w
CRI	Warm White >80 Cool White >75
Internal Temperature	52°
External Temperature (Front)	40°
External Temperature (Back)	48°
Operating Temperature	-40° / +50°
IP Rating	20

LED Downlight 20w - EFX-20WDL

The Eco-FX LED Downlight offers high luminosity COB LEDs giving efficient heat dissipation (surface temperature 58°C, junction temperature 85°C) and produces a softer light. The long life driver offers constant current and voltage.



EPISTAR **RoHS**

Eco-FX Limited

Office 1, 192 Shoreham Street
Sheffield S1 4SQ, UK

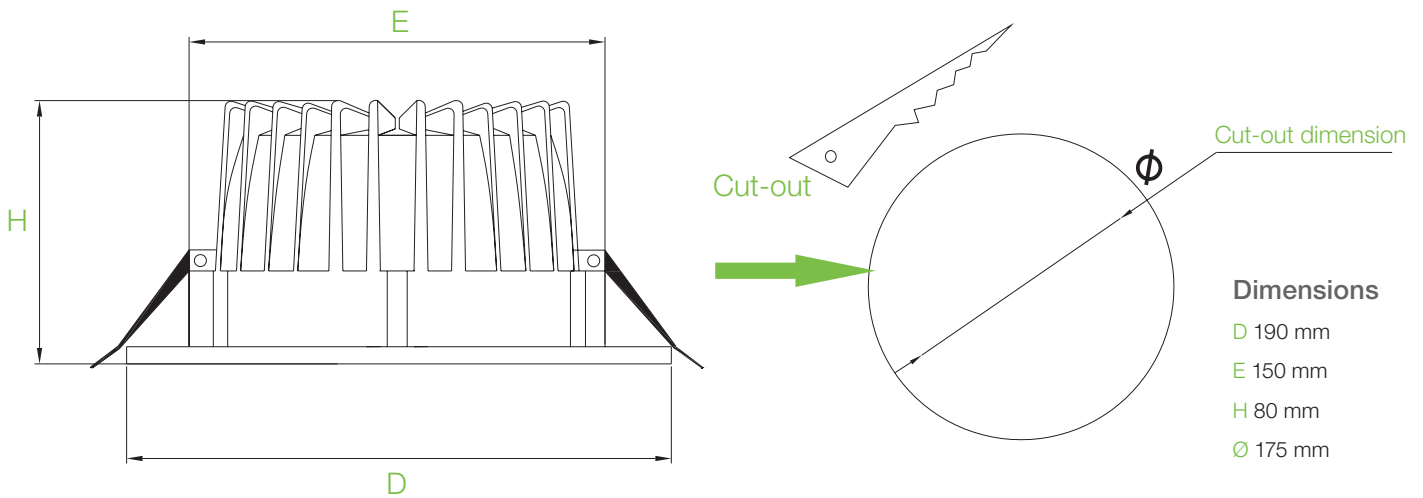
t: +44 (0) 114 321 9610
e: enquiries@eco-fx.co.uk

w: www.eco-fx.co.uk

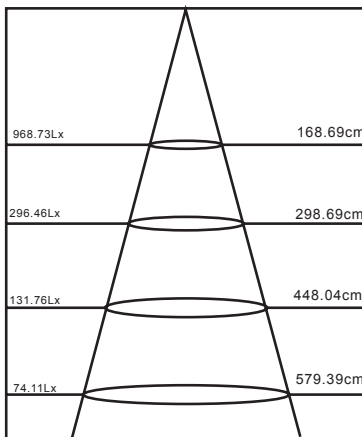
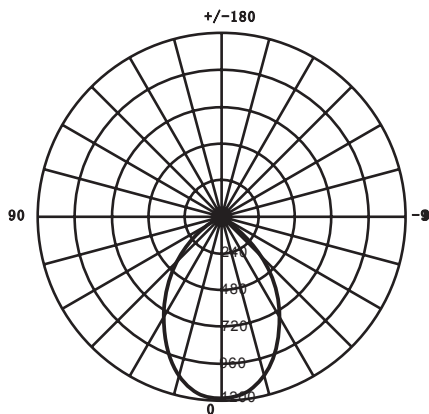
Issue April 2012

©Copyright 2012 - Eco-FX Limited

LED Downlight Dimensions and Cut-out view



LED Downlight Light Distribution and Illuminance



Beam Angle: 73.5°

Absolute Maximum Rating

Parameter	Rating
Housing Temperature	38°C
Operating Temperature	-40° – +50°C
IP Rating	20