

LED Downlight 12w

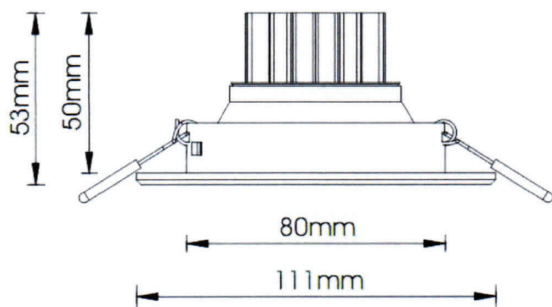
IP64



LED Downlight - EFX-SDRDL512W

LED Downlight 12w - EFX-SDRDL512W

The Eco-FX LED Downlight offers high luminosity COB LEDs giving efficient heat dissipation and produces a softer light. The long life driver offers constant current and voltage.



Technical

Product Code	EFX-SDRDL5012W
Size	Ø111mm x 54mm
Beam Angle	120°
Input Voltage	85-260Vac
Frequency	50/60 Hz
Transformer Output	12W
Running Current	700mA
Power Factor	0.93
Chip Set	Samsung
Efficiency (LOR)	95%
Colour Temperature	Warm White 2700k Cool White 5000k
Lumen	Warm White 1000lm Cool White 1100lm
Efficacy	83lm/w
CRI	Warm White >80
LED Life	50,000Hrs
Operating Temperature	-25° / +60°
IP Rating	IP64
Cut Out	Ø90mm

