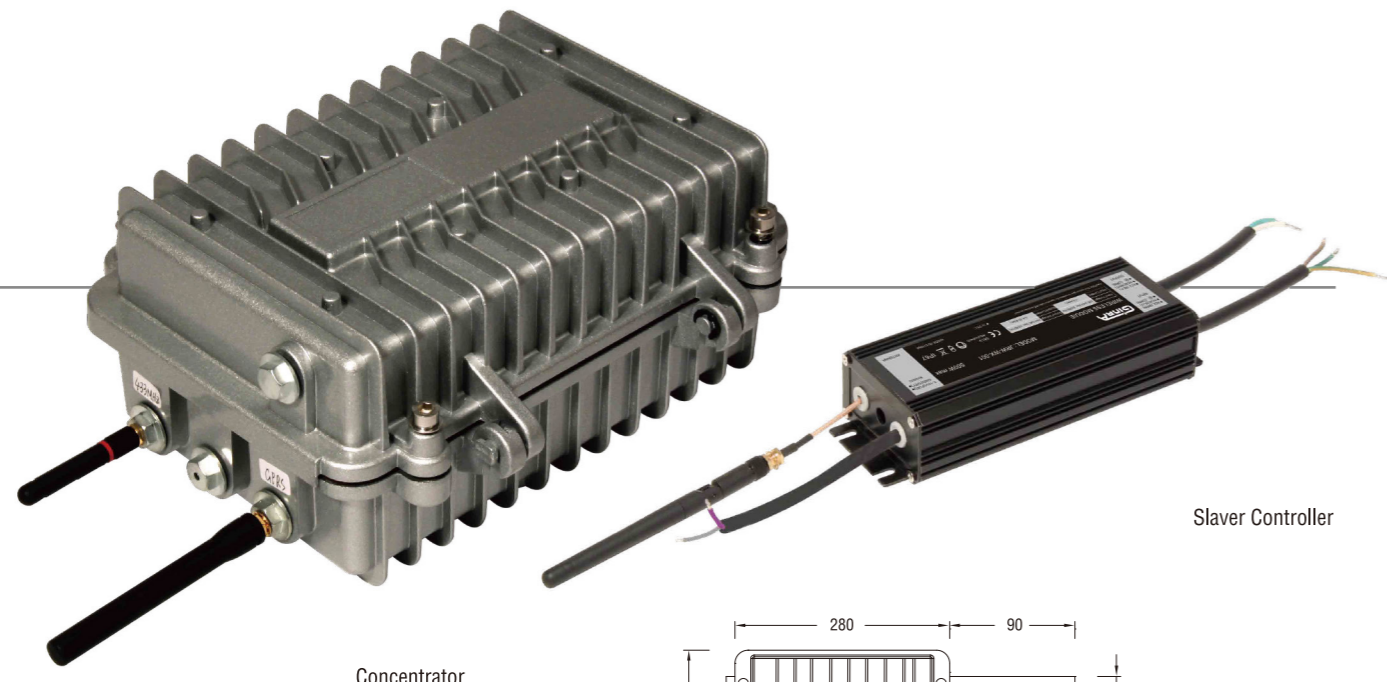
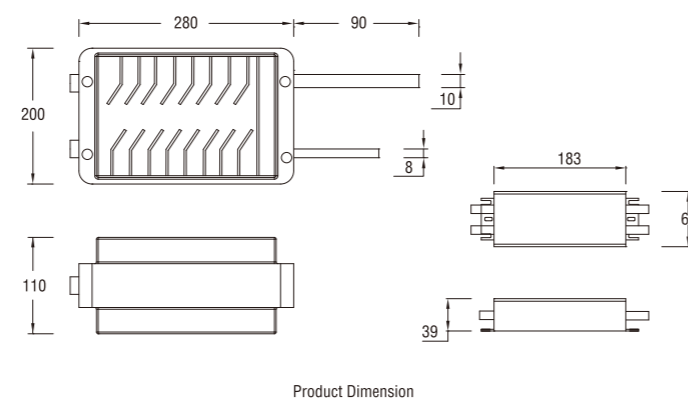


Wireless Control System A For Street Light



Concentrator

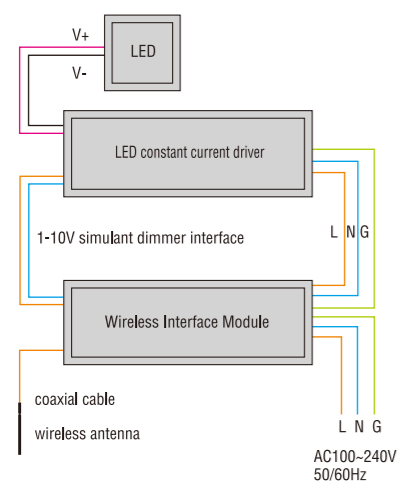
Slaver Controller



AC voltage input

System function

Wireless system can control street lights in city through concentrator and slaver controller. It is suitable for many kinds applications, including main road, pathway, car parking, industrial park etc. The system is low voltage wireless net, each light will be wireless node in net, each road can have one or more nets. using ISM system, can control light by net or cascading control, It can increase much stability of wireless control and checking.

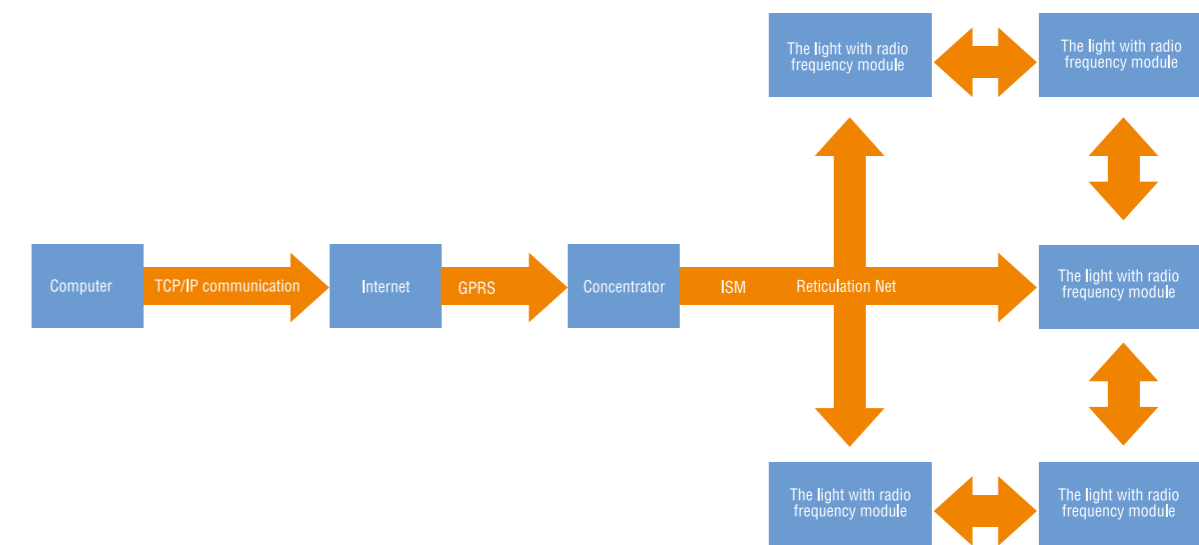


System function

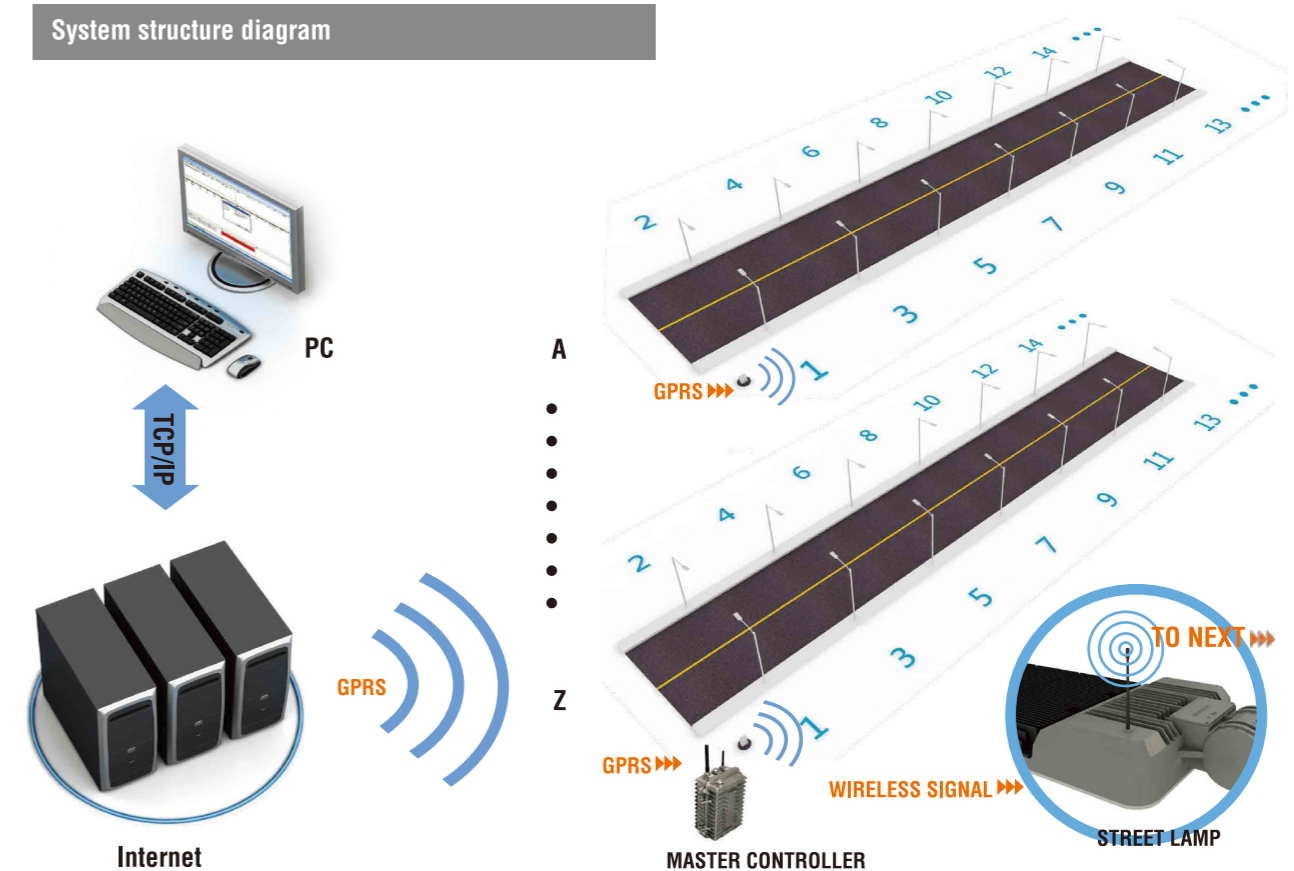
1. graphic display interface
2. wireless system combine with GPRS net
3. dim control , switch on / off , time control
4. moving sensing
5. monitor, failure judge and state report function
6. much more lower cost on each wireless node
7. wireless net is stable and convenient to install
8. distance from concentrator to every light can reach 100M

	wireless concentrator electric characteristics	wireless single light controller module electric characteristics
Input Voltage	AC100~240V	AC100~240V
Frequency Factor	50/60Hz	50/60Hz
Power	≤3W	≤1.2W
Output Voltage	/	100~240Vac
Output Ac Current	/	5A
Diming Signal Voltage	/	0~10V
Working Temperature	-20~70°C	-20~70°C
Work Humidity	10~90%	10~90%
Size (LxWxH)mm	280x200x110mm	183x67x39mm

System structure diagram



System structure diagram

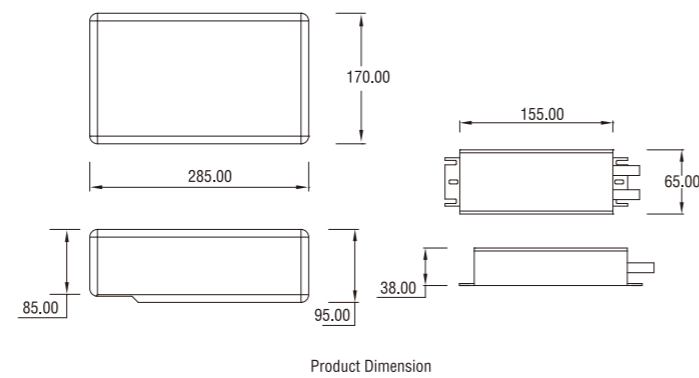


Wireless Control System B For Street Light



Concentrator

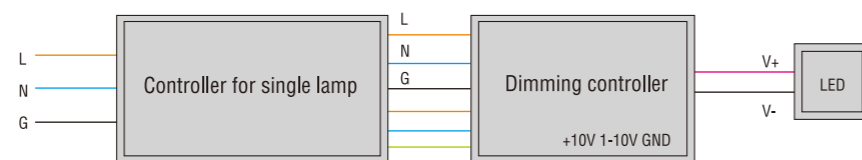
Single light controller on base of carrier wave



AC voltage input

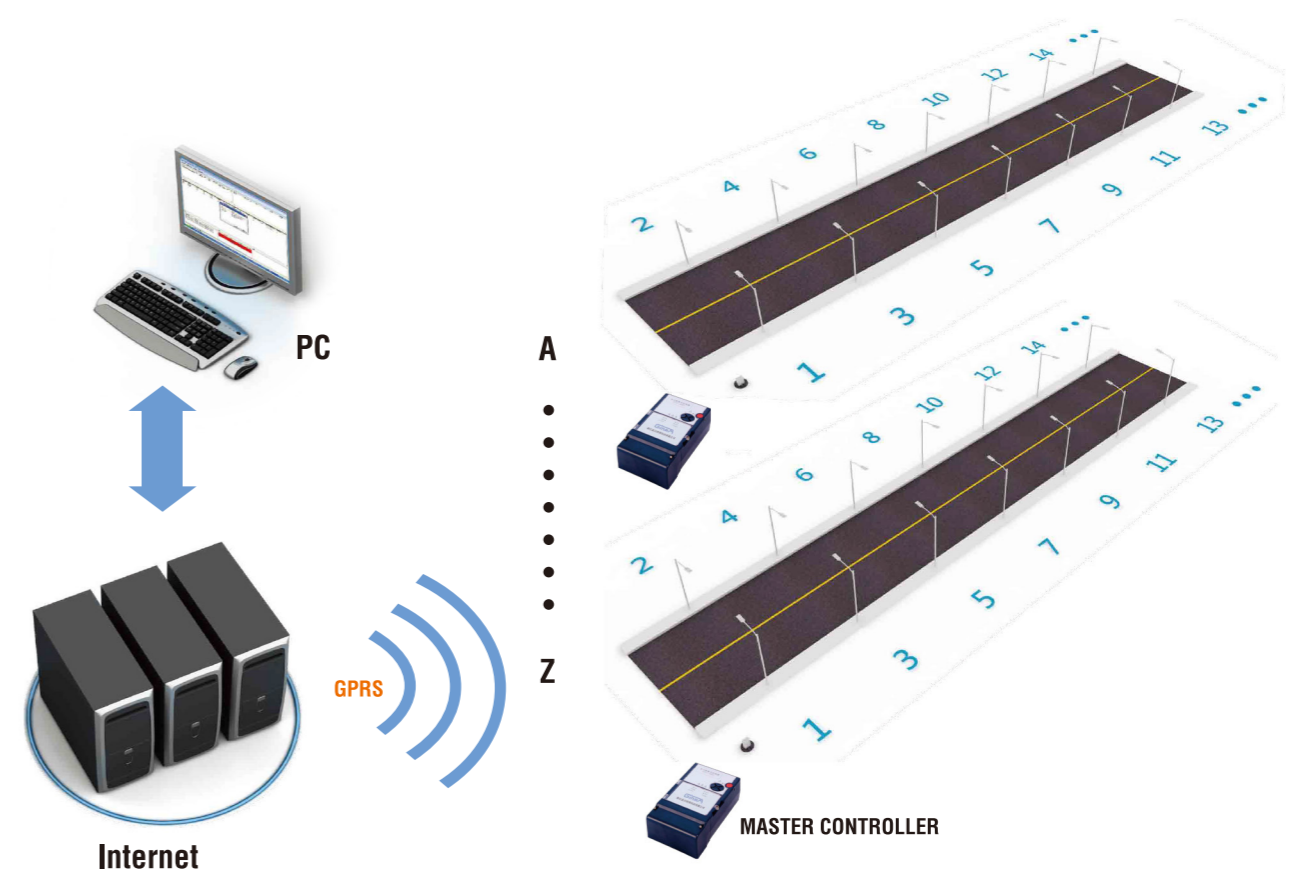
System function

- Active control function; the control center could switch on/off any single or grouped lights
 - AUTO control function; The light can automatically adjust the light switch time according to season change
 - Alarm function: when encounter communication interrupt or unpress the switch the control center will receive alarm.
 - Long-distance maintain function: the collecting and communicating modules in monitoring device obtains the ability of long-distance parameter setting up and maintaining.
- Installation method: installed in light control box
- Control distance: the distance between light poles should be less than 50m
 - Control quantity: one centralized controller can control 1024 pieces of light at most.
 - Network quantity: concentrator less than 150 pieces

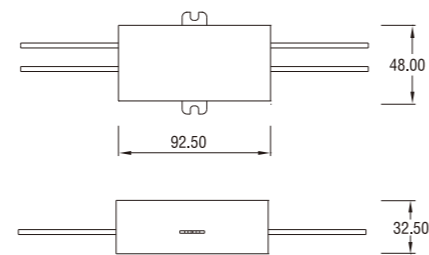


	Centralized Controller EFX-XJRW-ZB-001 parameter specification	single lamp controller EFX-XJRW-ZB-002 parameter specification
Input Voltage	AC170 ~ 240V	AC170 ~ 240V
Frequency Factor	50 ~ 60HZ	50 ~ 60HZ
Power	≤3W	≤3W
Output Voltage	/	AC170 ~ 240V
Output Ac Current	/	≤5.0A
Diming Signal Voltage	-30 ~ 70°C	-30 ~ 70°C
Working Temperature	10% ~ 90%	10% ~ 90%
Work Humidity	/	IP67
Size (LxWxH)mm	285 x175 x 100mm	183 x 67 x 39mm

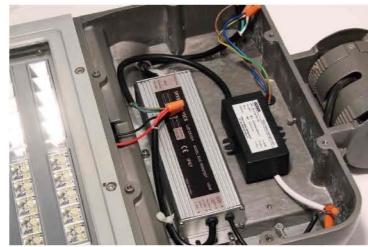
System structure diagram



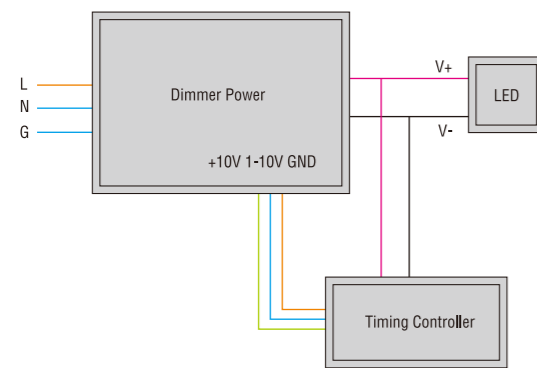
Electrical Characteristics



Product Dimension



Input AC Voltage



System function

Timing controller for single light together with dimming and constant current driver power, can easily set the light's working hours and efficient during the working hours, once working mode is set up. Light will working accordingly, no manual convenient and reliable.

system characteristics

1. Digital dimming function, energy-efficient
2. No high pressure, no additional lines, safe and cost saving
3. Module installation, easy installing and repairing
4. Long service life, without regular replacement, reduce maintain costs.

Specification

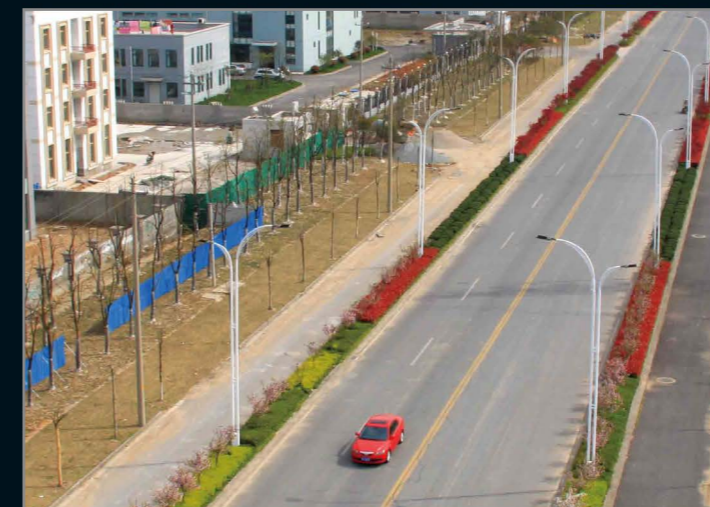
Product Code	Input Voltage	Overall Power Consumption	Output Voltage	Protection Grade	Temperature Of Working Condition	Humidity Of Working Condition
EFX-XJRW-DS-001	DC5V ~ DC75V	≤1W	DC1 ~ 10V	IP67	-25°C ~ 50°C	10% ~ 90%
EFX-XJRW-DS-002	DC5V ~ DC75V	≤1W	DC1 ~ 10V	IP67	-25°C ~ 50°C	10% ~ 90%
EFX-XJRW-DS-003	DC5V ~ DC75V	≤1W	DC1 ~ 10V	IP67	-25°C ~ 50°C	10% ~ 90%

Selected Type Reference

Product Code	Working Time And Working Power At Midnight	Working Time And Working Power In Late Night	Working Power After Midnight
EFX-XJRW-DS-001	4H 100%full Power	4H 100%full Power	80%Power
EFX-XJRW-DS-002	4H 100%full Power	4H 100%full Power	50%Power
EFX-XJRW-DS-003	4H 100%full Power	4H 80%full Power	50%Power

Enclosed List for reference (P303)

Electrical Characteristics



www.eco-fx.co.uk

EcoFX
LED lighting solutions

Office 1, 192 Shoreham Street
Sheffield S1 4SQ, UK
T: +44(0) 114 321 9610
E: enquiries@eco-fx.co.uk

Global Partner

Eco-FX
Smarter LED Lighting Solutions
Australia

