



EcoFX
LED lighting solutions

LED Street Light

LED

The Application of Occasions:

Mainly used for urban main road,highway.



EFX-XJRA2

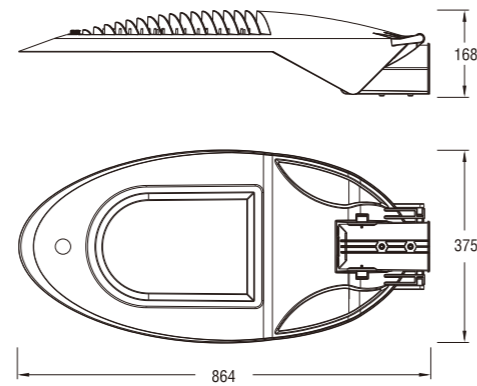
120/110/90/60/40/30

The EFX-XJRA2 series LED street light with the simple, fashioned design and 4 different color optional for the light body. The light use die-casting aluminum and the surface adopts the weather-resistance and anticorrosive treatment. The light use one button to open and easy for maintenance.the V style heat sink design increases the heat conduction index and prevent the dust stack on the back. The independent light source and power supply module make the LED maintenance and installation much easier.

EFX-XJRA2-120/110/90



- One button to open
- Humanized installation & maintainance
- Plug design
- V style heat sink for heat conduction



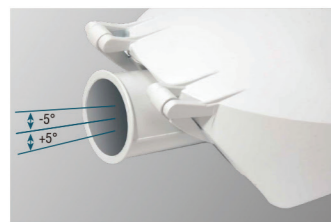
Product Dimension

Product Description

1. Predominant heat removal, optical and Electrical light.
2. Aluminum construction body. Surface with static plastic coating and anti-corrosive treatment.
3. Diffuser with 4.00mm super toughened glass.
4. Humanized structure design, easy to open and maintain.



Lamps and lanterns vertical installation, adjustable Angle is 0 ~ 10°



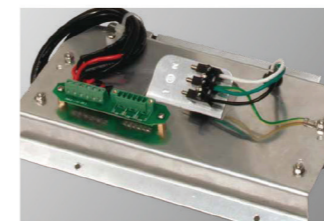
Lamps installed horizontally, adjustable Angle for + 5°



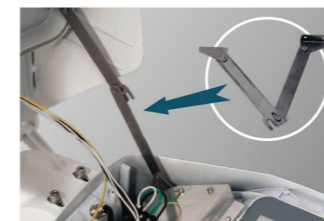
A key type screw assembly, lamps and lanterns is simple, convenient maintenance open



V style finned heat sink prevent the dust and other matters from stacking on the back.



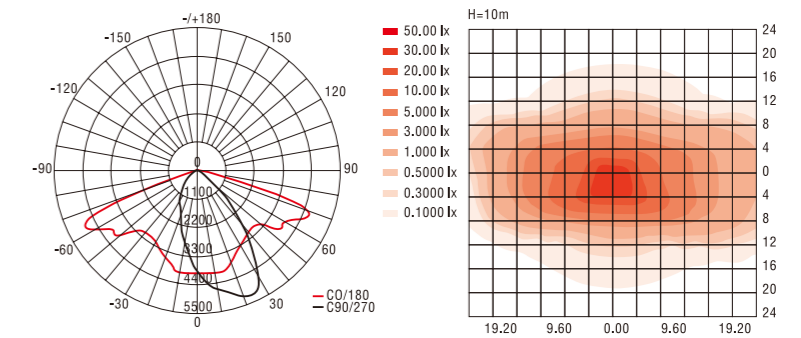
Plug design for the light source, power supply and external wires, easy for your installation and maintenance



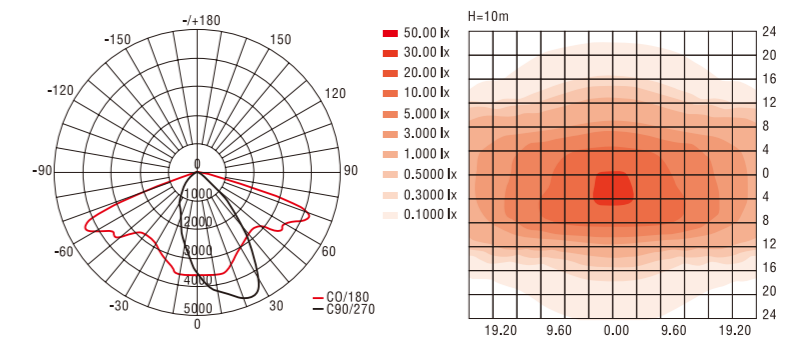
Lamps and lanterns maintenance, cover open using special support defense shedding structure design, more humane

Light Distribution Curve

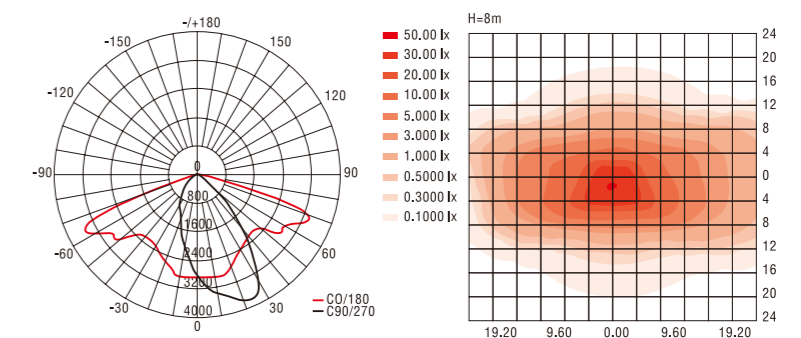
EFX-XJRA2-120



EFX-XJRA2-110

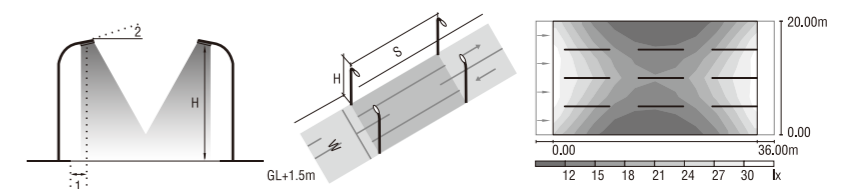


EFX-XJRA2-90



Simulation for lighting on road (120W)

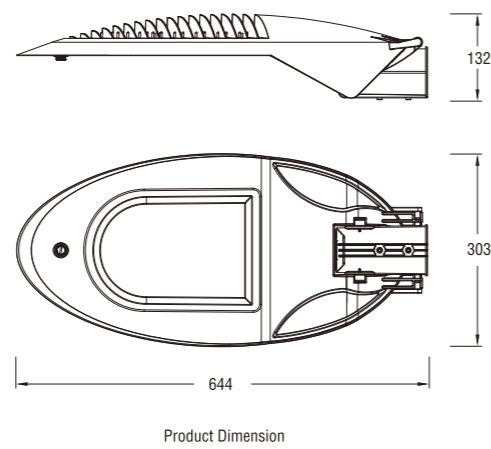
Road width (W) m	20
Distance (S) m	36
Height (H) m	11
Forward (1) m	1
Angle (2)°	10
Maintenance Rate	0.8
Average Illumins lx	18
Max Illumins lx	30
Min Illumins lx	9.88
Uniformity of road surface Illuminance	0.537
Average lumin cd/m ²	1.0
Over Uniformity U _o	0.6
Longitudinal Uniformity UL	0.7
Threshold Increment TI	7%
Surround Illumins Coefficient SR	0.5



EFX-XJRA2-60/40/30



- One button to open
- Humanized installation & maintainance
- Plug design
- V style heat sink for heat conduction

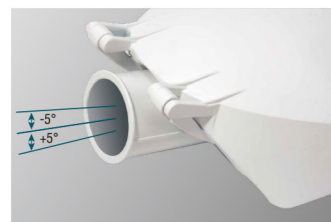


Product Description

1. Predominant heat removal, optical and Electrical light.
2. Aluminum construction body. Surface with static plastic coating and anti-corrosive treatment.
3. Diffuser with 4.00mm super toughened glass.
4. Humanized structure design, easy to open and maintain.



Lamps and lanterns vertical installation, adjustable Angle is 0 ~ 10 °



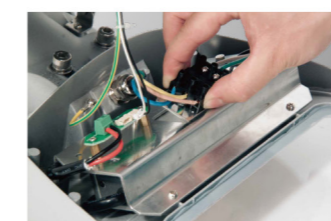
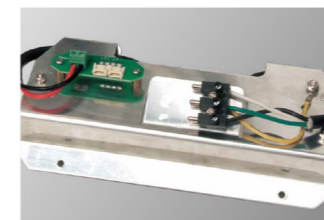
Lamps installed horizontally, adjustable Angle for + 5 °



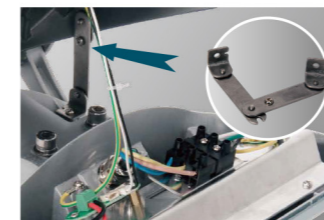
A key type screw assembly, lamps and lanterns is simple, convenient maintenance open



V style finned heat sink prevent the dust and other matters from stacking on the back.



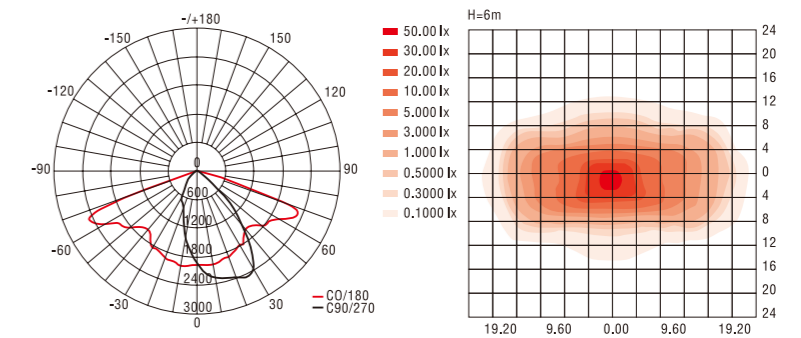
Plug design for the light source, power supply and external wires, easy for your installation and maintenance



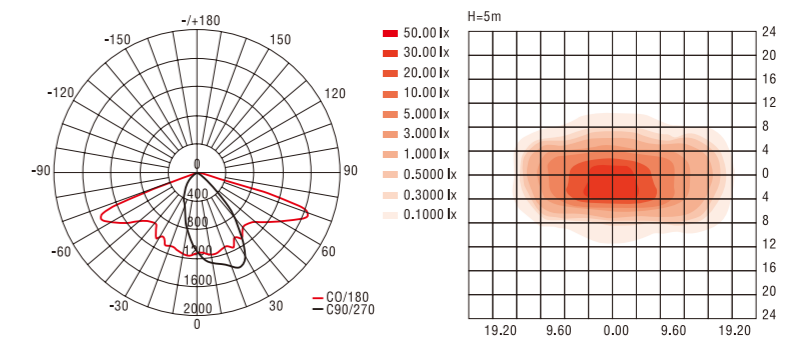
Lamps and lanterns maintenance, cover open using special support defense shedding structure design, more humane

Light Distribution Curve

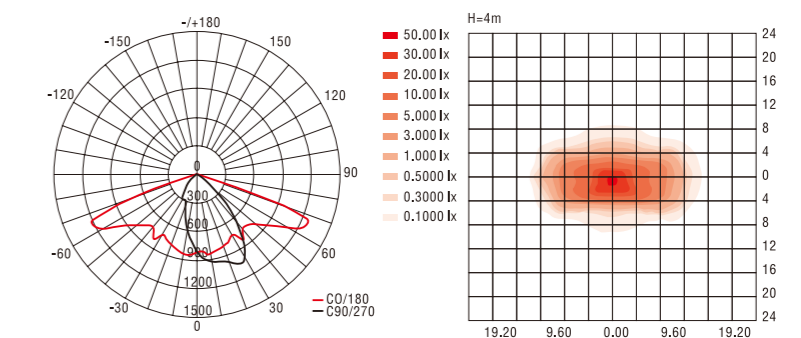
EFX-XJRA2-60



EFX-XJRA2-40

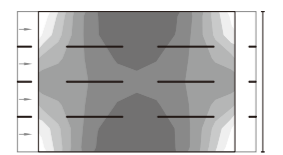
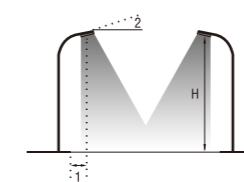


EFX-XJRA2-30



Simulation for lighting on road (60W)

Road width (W) m	20
Distance (S) m	28
Height (H) m	8.1
Forward (1) m	0.5
Angle (2)°	10
Maintenance Rate	0.8
Average Illumins lx	12
Max Illumins lx	23
Min Illumins lx	6.83
Uniformity of road surface Illuminance	0.557
Average lumin cd/m ²	0.68
Over Uniformity Uo	0.6
Longitudinal Uniformity UL	0.7
Threshold Increment TI	9%
Surround Illumins Coefficient SR	0.4



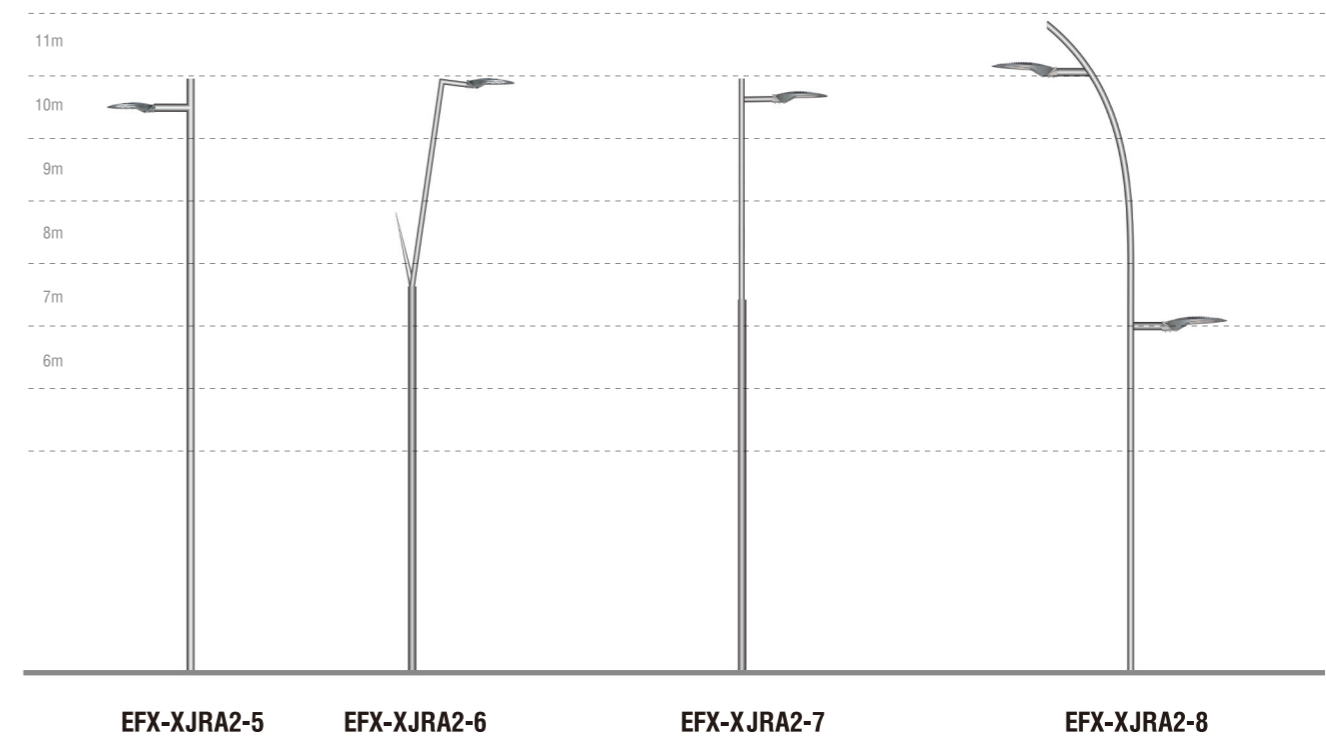
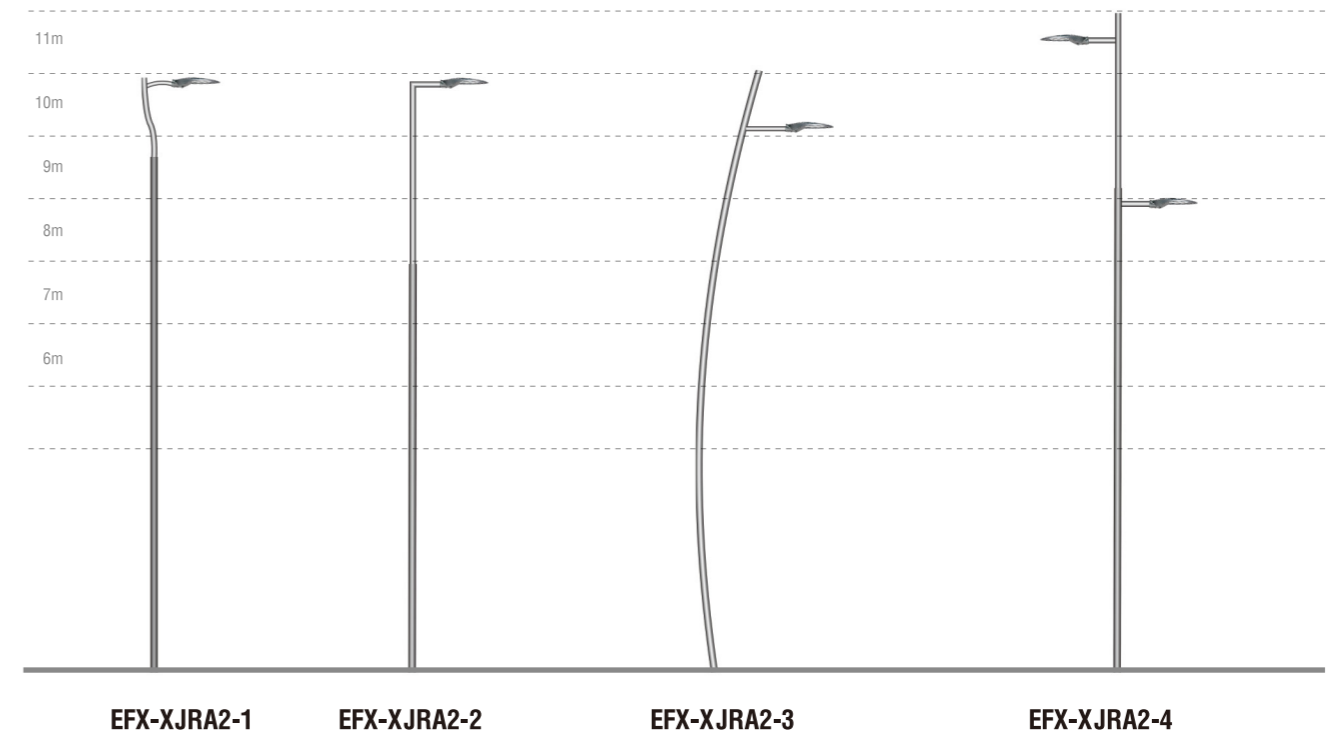
Specification

Product Code	EFX-XJRA2-120	EFX-XJRA2-110	EFX-XJRA2-90
LED Quantity	112pcs	96pcs	80pcs
Rated Power	135W	115W	96W
Input Voltage	AC100-277V	AC100-277V	AC100-277V
Frequency Range	50/60Hz	50/60Hz	50/60Hz
Power Factor	> 0.9	> 0.9	> 0.9
THD	< 15%	< 15%	< 15%
Color Temperature(K)	6500/4500/3000	6500/4500/3000	6500/4500/3000
Color Rendering Index	> 70	> 70	> 70
Efficiency(lm/W)	80/75/62	81/77/63	81/76/63
Luminous Flux(lm)	10858/10119/8410	9496/8868/7316	7861/7373/6087
Temperature of Working Condition	-35°C~50°C	-35°C~50°C	-35°C~50°C
Humidity of Working Condition	10%~90%	10%~90%	10%~90%
Life	> 30000H	> 30000H	> 30000H
Protection Grade	IP65	IP65	IP65
Installation Pipe Diameter	Φ60mm/Φ76mm	Φ60mm/Φ76mm	Φ60mm/Φ76mm
Installation Height	10-12m	9-11m	8-10m
Lamp Weight(kg)	10.93	10.93	10.62
Gross(kg)	12.93	12.93	12.62
Packing Size(mm)	988x428x245	988x428x245	988x428x245

Product Code	EFX-XJRA2-60	EFX-XJRA2-40	EFX-XJRA2-30
LED Quantity	54pcs	32pcs	24pcs
Rated Power	66W	40W	30W
Input Voltage	AC100-277V	AC100-277V	AC100-277V
Frequency Range	50/60Hz	50/60Hz	50/60Hz
Power Factor	> 0.9	> 0.9	> 0.9
THD	< 15%	< 15%	< 15%
Color Temperature(K)	6500/4500/3000	6500/4500/3000	6500/4500/3000
Color Rendering Index	> 70	> 70	> 70
Efficiency(lm/W)	80/75/62	79/74/61	80/75/62
Luminous Flux(lm)	5353/4994/4145	3214/3005/2488	2367/2208/1835
Temperature of Working Condition	-35°C~50°C	-35°C~50°C	-35°C~50°C
Humidity of Working Condition	10%~90%	10%~90%	10%~90%
Life	> 30000H	> 30000H	> 30000H
Protection Grade	IP65	IP65	IP65
Installation Pipe Diameter	Φ48mm/Φ60mm	Φ48mm/Φ60mm	Φ48mm/Φ60mm
Installation Height	6-8m	5-7m	4-6m
Lamp Weight(kg)	5.93	5.6	5.6
Gross(kg)	7.075	6.75	6.75
Packing Size(mm)	716x366x195	716x366x195	716x366x195

All parameters are measured at 25°C ambient temperature, 35% humidity experimental environment

EFX-XJRA2 The style of the pole







EcoFX
LED lighting solutions

LED Street Light

The Application of Occasions:
Mainly used for urban main road, highway.

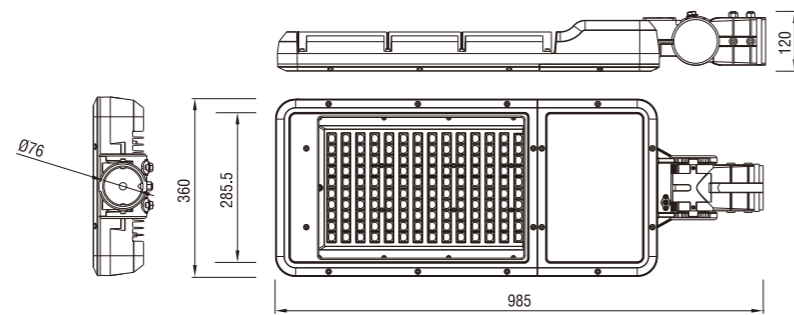
EFX-XJRA1

180L/160L/120L/90L/60L/30L

The simple rectangular appearance make the light stable and generous. The light adopts excellent heat emission design and efficient optical design which combines lens and reflector together, enhances the light efficiency. Double pipe installation design and multi-angles installation design make installation much easier. The external wire box and high efficiency power supply make the light more stable.



EFX-XJRA1-180L



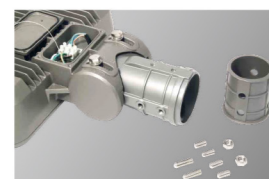
Product Dimension



Multi-angle installation design



External meet XianQiang body



Double casing installation design



Optical device(Optional Accessories)

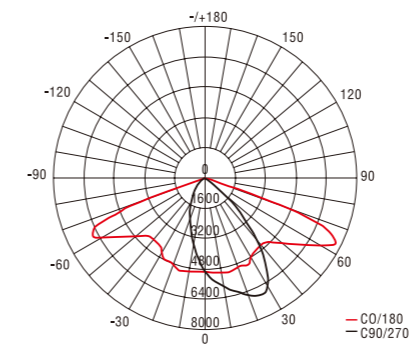
Product Description

1. Owned patent, good performance and thermal management.
2. Main structure made by die-casting aluminum, and anti-corrosion treatment on surface.
3. Reasonable design, easy to install.

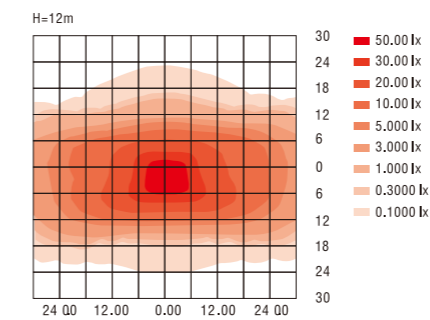


Lens

Light Distribution

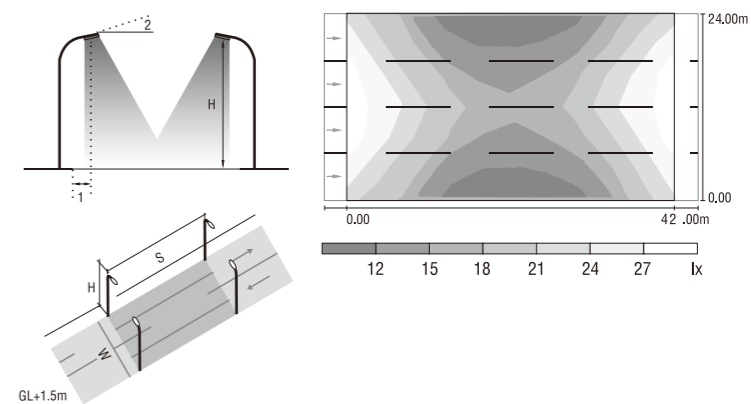


Illumination Curve



Simulation for lighting on road

Road width(W) m	24
Distance(S) m	42
Height(H) m	13
Forward(1) m	0.5
Angle(2)°	10
Maintenance Rate	0.8
Average Illumins lx	18
Max Illumins lx	27
Min Illumins lx	11
Uniformity of road surface Illuminance	0.594
Average lumin cd/m ²	1.0
Over Uniformity U _o	0.6
Longitudinal Uniformity U _L	0.7
Threshold Increment TI	6%
Surround Illumins Coefficient SR	0.6

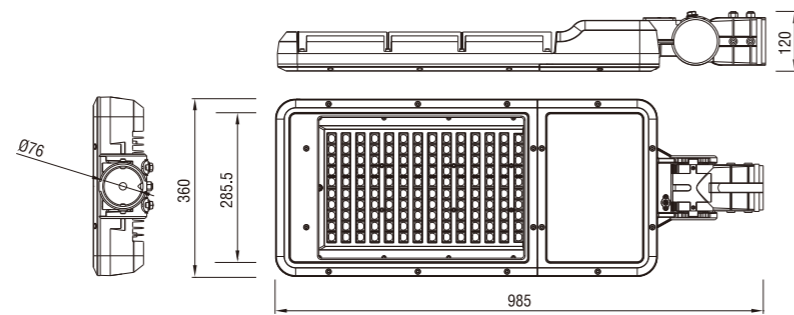


Specification

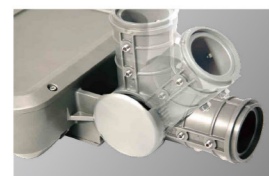
Product Code	EFX-XJRA1-180L
LED Quantity	140pcs
Rated Power	189W
Input Voltage	AC100-240V
Frequency Range	50/60Hz
Power Factor	> 0.9
THD	< 15%
Color Temperature	6500/4500/3000 (K)
Color Rendering Index	> 70
Efficiency	76/70/60 (lm/W)
Luminous Flux	14474/13225/11188 (lm)
Temperature of Working Condition	-35°C~50°C
Humidity of Working Condition	10%~90%
Life	> 30000H
Protection Grade	IP65
Installation Pipe Diameter	Φ60mm/Φ76mm
Installation Height	12-14m
Lamp Weight(kg)	17.2
Gross(kg)	18.5
Packing Size(mm)	1035×423×190

All parameters are measured at 25°C ambient temperature, 35% humidity experimental environment

EFX-XJRA1-160L



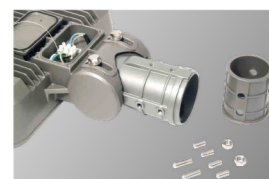
Product Dimension



Multi-angle installation design



Easy external connection



Double casing installation design



Optical device(Optional Accessories)

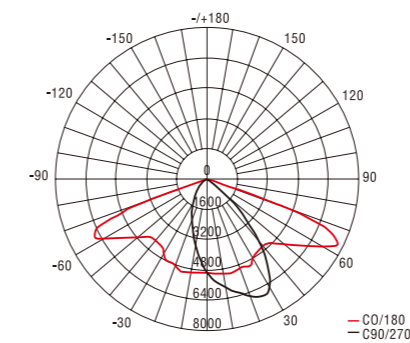
Product Description

1. Owned patent, good performance and thermal management.
2. Main structure made by die-casting aluminum, and anti-corrosion treatment on surface.
3. Reasonable design, easy to install.

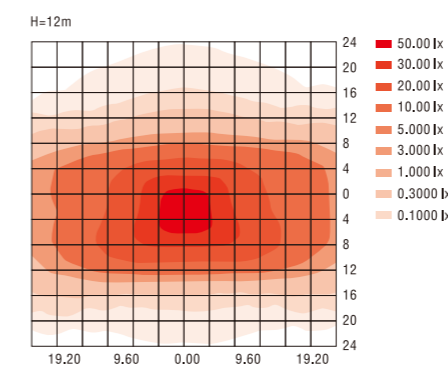


Lens

Light Distribution

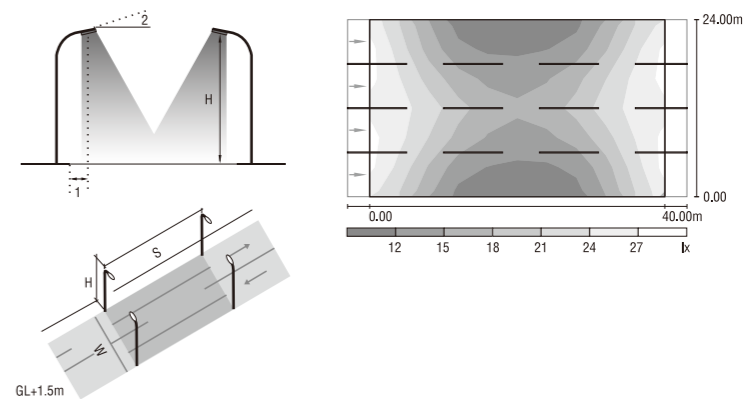


Illumination Curve



Simulation for lighting on road

Road width(W) m	24
Distance(S) m	40
Height(H) m	12
Forward(1) m	0.5
Angle(2)°	10
Maintenance Rate	0.8
Average Illumins	18
Max Illumins	27
Min Illumins	11
Uniformity of road surface Illuminance	0.587
Average lumin cd/m ²	1.0
Over Uniformity U _o	0.6
Longitudinal Uniformity U _L	0.7
Threshold Increment TI	6%
Surround Illumins Coefficient SR	0.5

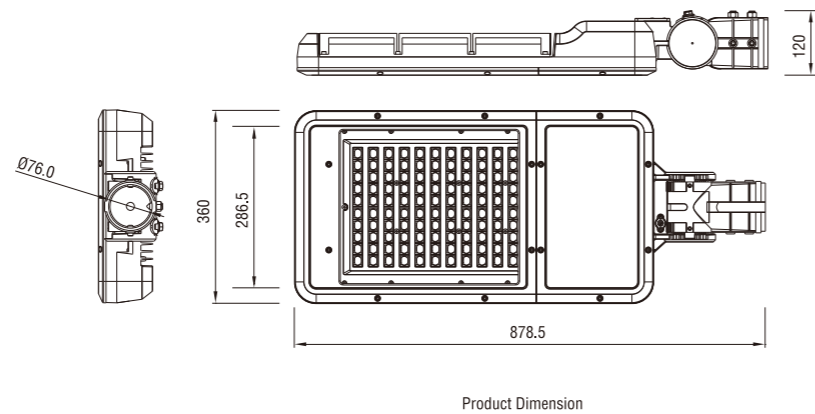


Specification

Product Code	EFX-XJRA1-160L
LED Quantity	140pcs
Rated Power	173W
Input Voltage	AC100-277V
Frequency Range	50/60Hz
Power Factor	> 0.9
THD	< 15%
Color Temperature	6500/4500/3000 (K)
Color Rendering Index	> 70
Efficiency	77/71/60 (lm/W)
Luminous Flux	13464/12303/10408 (lm)
Temperature of Working Condition	-35°C~50°C
Humidity of Working Condition	10%~90%
Life	> 30000H
Protection Grade	IP65
Installation Pipe Diameter	Φ60mm/Φ76mm
Installation Height	12-14m
Lamp Weight(kg)	17.2
Gross(kg)	18.5
Packing Size(mm)	1035×423×190

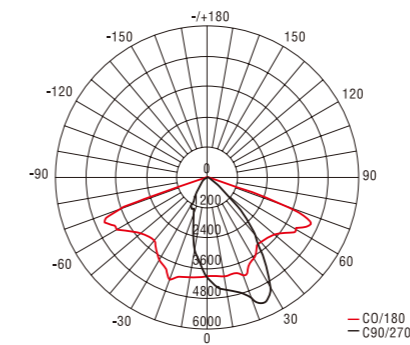
All parameters are measured at 25°C ambient temperature, 35% humidity experimental environment
Zhejiang JR lighting technology company is provincial level research center

EFX-XJRA1-120L

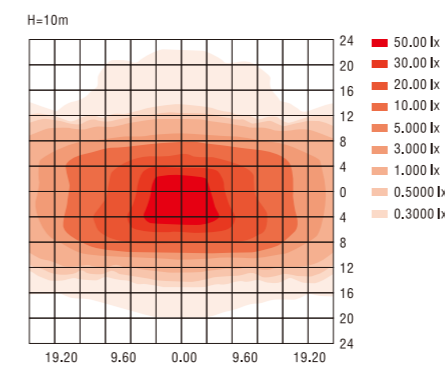


Lens

Light Distribution

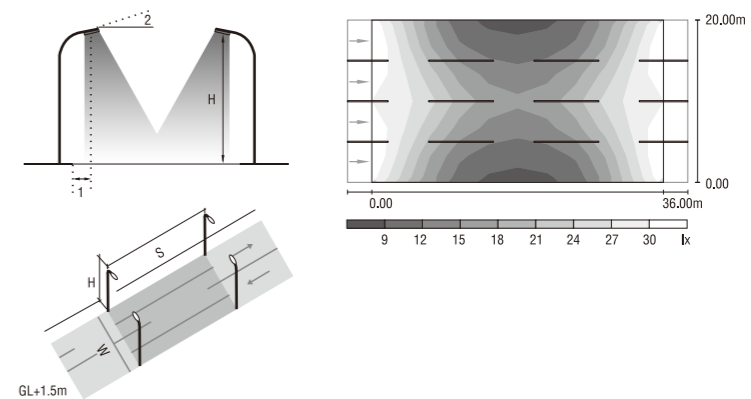


Illumination Curve



Simulation for lighting on road

Road width(W) m	20
Distance(S) m	36
Height(H) m	10
Forward(1) m	0.5
Angle(2)°	10
Maintenance Rate	0.8
Average Illumins lx	19
Max Illumins lx	31
Min Illumins lx	8.88
Uniformity of road surface Illuminance	0.464
Average lumin cd/m ²	1.0
Over Uniformity U _o	0.6
Longitudinal Uniformity U _L	0.7
Threshold Increment TI	7%
Surround Illumins Coefficient SR	0.5



Specification

Product Code	EFX-XJRA1-120L
LED Quantity	110pcs
Rated Power	133W
Input Voltage	AC100-277V
Frequency Range	50/60Hz
Power Factor	> 0.9
THD	< 15%
Color Temperature	6500/4500/3000 (K)
Color Rendering Index	> 70
Efficiency	80/75/63 (lm/W)
Luminous Flux	10713/10057/8471 (lm)
Temperature of Working Condition	-35°C~50°C
Humidity of Working Condition	10%~90%
Life	> 30000H
Protection Grade	IP65
Installation Pipe Diameter	Φ60mm/Φ76mm
Installation Height	10-12m
Lamp Weight(kg)	14.8
Gross(kg)	15.7
Packing Size(mm)	930×428×195

All parameters are measured at 25°C ambient temperature, 35% humidity experimental environment

Product Description

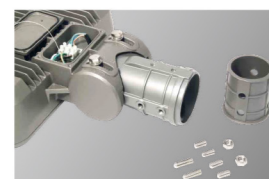
1. Owned patent, good performance and thermal management.
2. Main structure made by die-casting aluminum, and anti-corrosion treatment on surface.
3. Reasonable design, easy to install.



Multi-angle installation design



Easy external connection

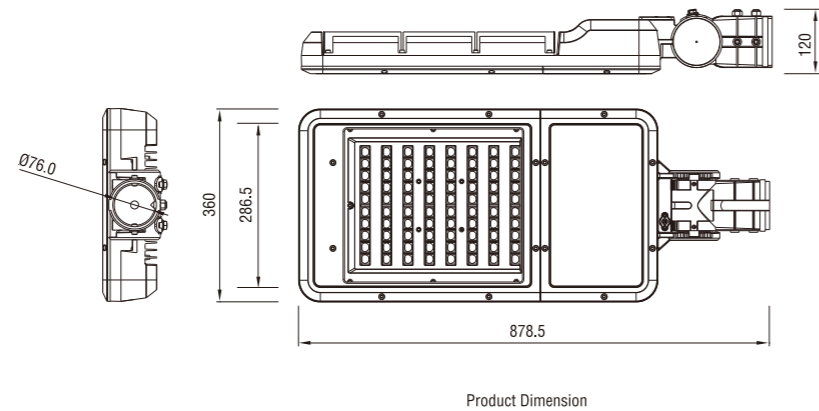


Double casing installation design



Optical device(Optional Accessories)

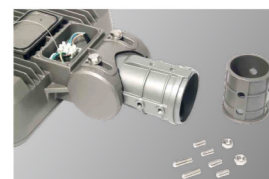
EFX-XJRA1-90L



Flexible installation



Easy external connection



Double bushing design



Optical device(Optional Accessories)

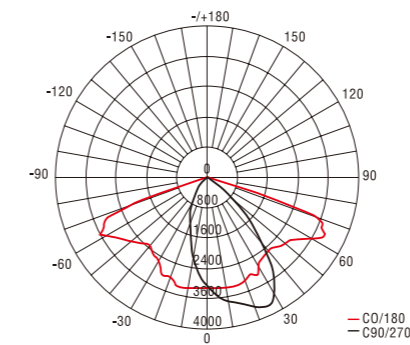
Product Description

1. Owned patent, good performance and thermal management.
2. Main structure made by die-casting aluminum, and anti-corrosion treatment on surface.
3. Reasonable design, easy to install.

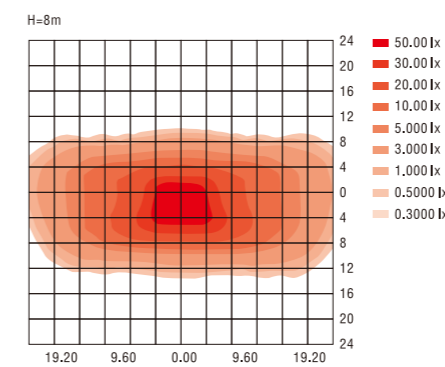


Lens

Light Distribution

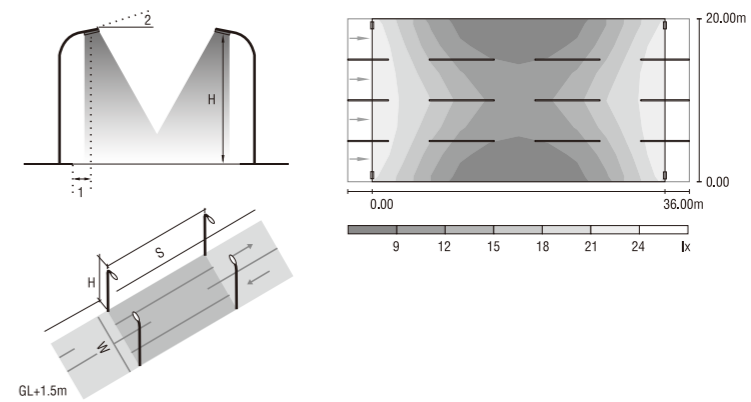


Illumination Curve



Simulation for lighting on road

Road width(W) m	20
Distance(S) m	36
Height(H) m	10
Forward(1) m	0.8
Angle(2)°	10
Maintenance Rate	0.8
Average Illumins lx	14
Max Illumins lx	23
Min Illumins lx	6.84
Uniformity of road surface Illuminance	0.489
Average lumin cd/m ²	0.75
Over Uniformity U _o	0.6
Longitudinal Uniformity UL	0.7
Threshold Increment TI	7%
Surround Illumins Coefficient SR	0.5

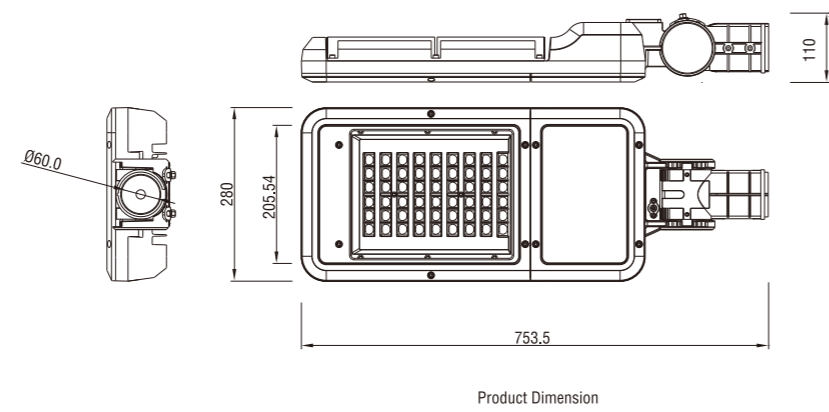


Specification

Product Code	EFX-XJRA1-90L
LED Quantity	80pcs
Rated Power	96W
Input Voltage	AC100-277V
Frequency Range	50/60Hz
Power Factor	> 0.9
THD	< 15%
Color Temperature	6500/4500/3000 (K)
Color Rendering Index	> 70
Efficiency	80/74/62 (lm/W)
Luminous Flux	7736/7150/5980 (lm)
Temperature of Working Condition	-35°C~50°C
Humidity of Working Condition	10%~90%
Life	> 30000H
Protection Grade	IP65
Installation Pipe Diameter	Φ60mm/Φ76mm
Installation Height	8-10m
Lamp Weight(kg)	14.3
Gross(kg)	14.8
Packing Size(mm)	930×428×195

All parameters are measured at 25°C ambient temperature, 35% humidity experimental environment

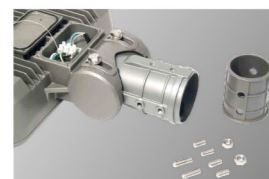
EFX-XJRA1-60L



Multi-angle installation design



Easy external connection



Double casing installation design



Optical device(Optional Accessories)

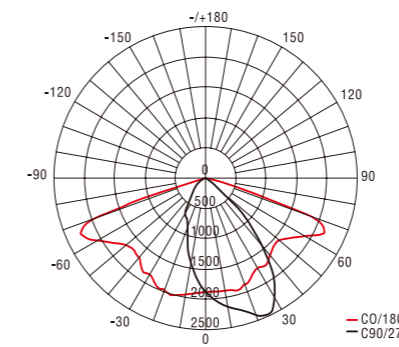
Product Description

1. Owned patent, good performance and thermal management.
2. Main structure made by die-casting aluminum, and anti-corrosion treatment on surface.
3. Reasonable design, easy to install.

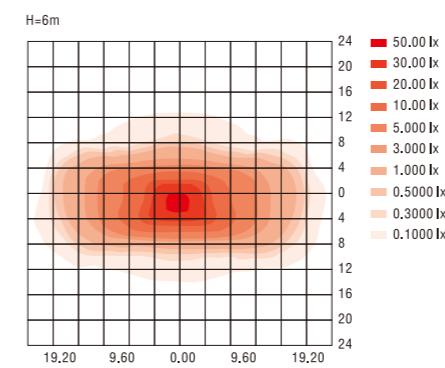


Lens

Light Distribution

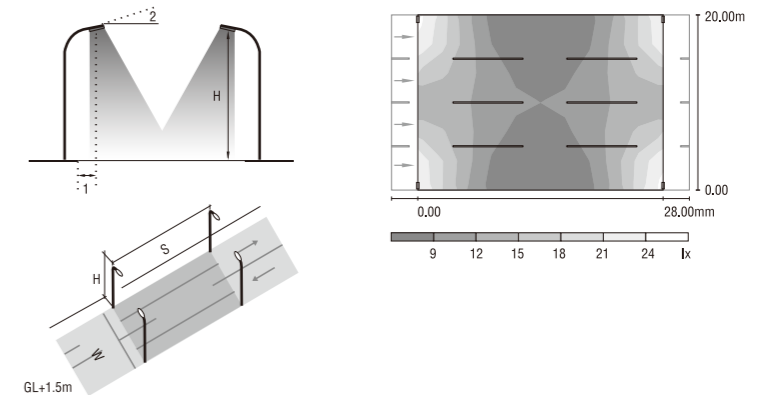


Illumination Curve



Simulation for lighting on road

Road width(W) m	20
Distance(S) m	28
Height(H) m	8.1
Forward(1) m	0.5
Angle(2)°	10
Maintenance Rate	0.8
Average Illumins lx	12
Max Illumins lx	22
Min Illumins lx	6.22
Uniformity of road surface Illuminance	0.523
Average lumin cd/m ²	0.65
Over Uniformity Uo	0.6
Longitudinal Uniformity UL	0.9
Threshold Increment TI	8%
Surround Illumins Coefficient SR	0.4

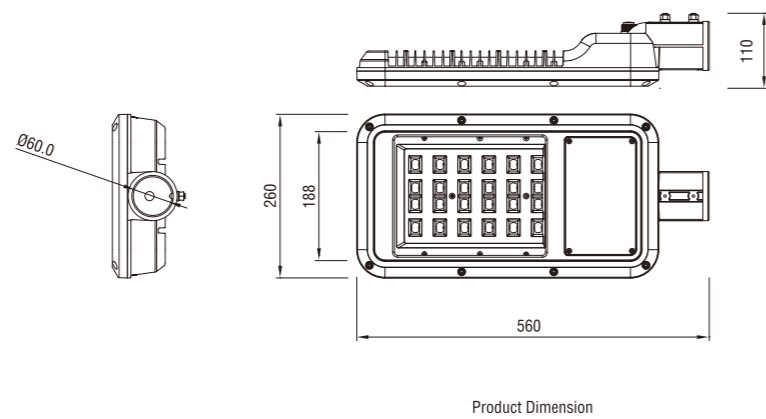


Specification

Product Code	EFX-XJRA1-60L
LED Quantity	54pcs
Rated Power	66W
Input Voltage	AC100-277V
Frequency Range	50/60Hz
Power Factor	> 0.9
THD	< 15%
Color Temperature	6500/4500/3000 (K)
Color Rendering Index	> 70
Efficiency	77/71/60 (lm/W)
Luminous Flux	5140/4726/3898 (lm)
Temperature of Working Condition	-35°C~50°C
Humidity of Working Condition	10%~90%
Life	> 30000H
Protection Grade	IP65
Installation Pipe Diameter	Φ48mm/Φ60mm
Installation Height	6-8m
Lamp Weight(kg)	9.5
Gross(kg)	10.5
Packing Size(mm)	803×343×180

All parameters are measured at 25°C ambient temperature, 35% humidity experimental environment

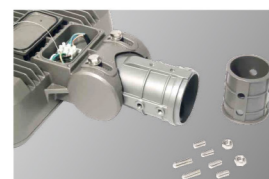
EFX-XJRA1-30L



Multi-angle installation design



Easy external connection



Double casing installation design



Optical device(Optional Accessories)

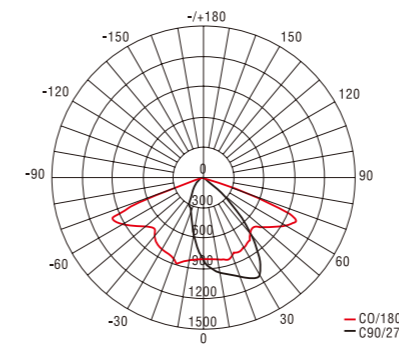
Product Description

1. Owned patent, good performance and thermal management.
2. Main structure made by die-casting aluminum, and anti-corrosion treatment on surface.
3. Reasonable design, easy to install.

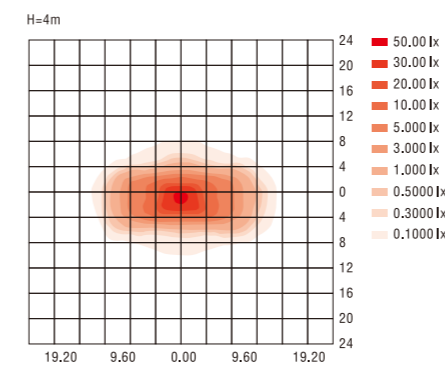


Lens

Light Distribution

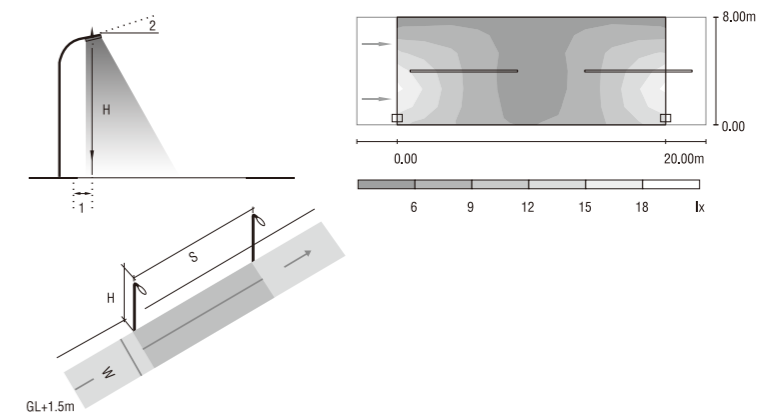


Illumination Curve



Simulation for lighting on road

Road width(W) m	8
Distance(S) m	20
Height(H) m	6.1
Forward(1) m	0.5
Angle(2)°	10
Maintenance Rate	0.8
Average Illumins lx	8.52
Max Illumins lx	17
Min Illumins lx	4.70
Uniformity of road surface Illuminance	0,551
Average lumin cd/m ²	0.4
Over Uniformity U _o	0.42
Longitudinal Uniformity UL	0.8
Threshold Increment TI	7%
Surround Illumins Coefficient SR	0.3

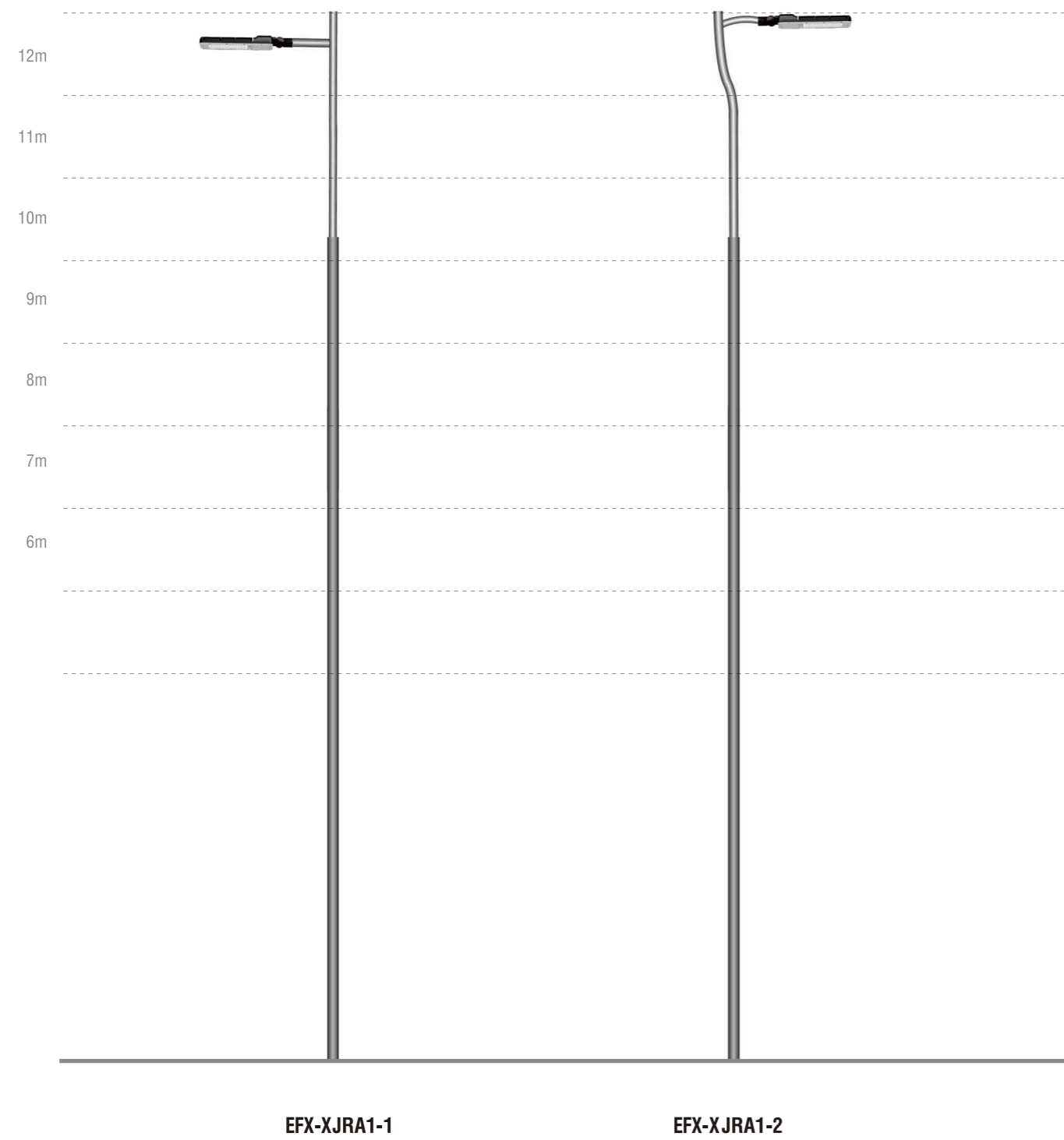


Specification

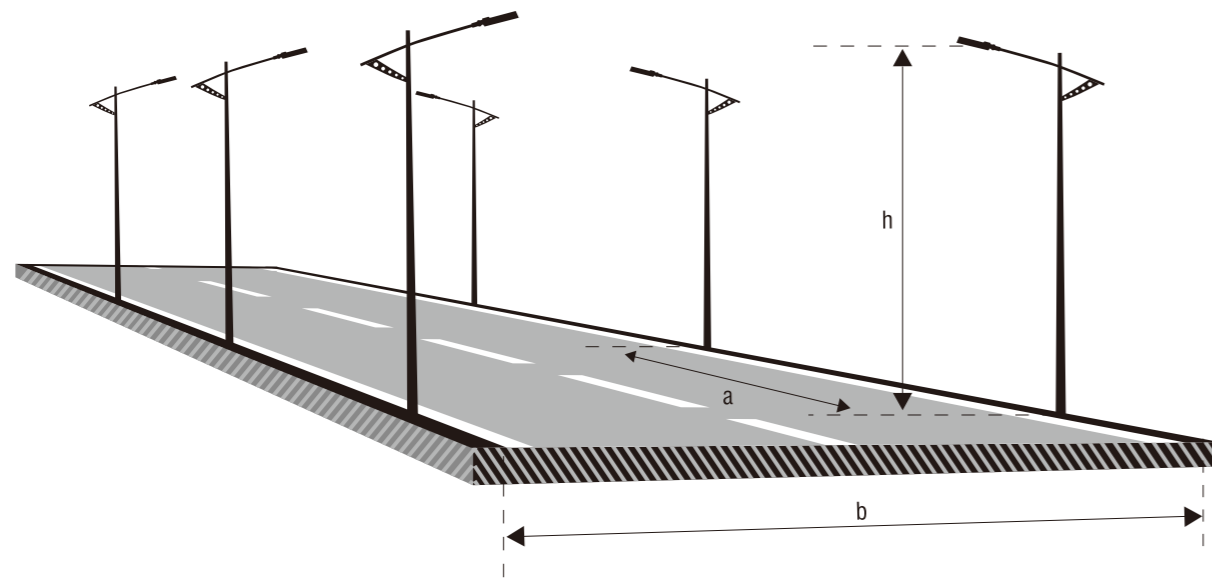
Product Code	EFX-XJRA1-30L
LED Quantity	24pcs
Rated Power	30W
Input Voltage	AC100-277V
Frequency Range	50/60Hz
Power Factor	> 0.9
THD	< 15%
Color Temperature	6500/4500/3000 (K)
Color Rendering Index	> 70
Efficiency	77/71/60 (lm/W)
Luminous Flux	2316/2131/1756 (lm)
Temperature of Working Condition	-35°C~50°C
Humidity of Working Condition	10%~90%
Life	> 30000H
Protection Grade	IP65
Installation Pipe Diameter	Φ48mm/Φ60mm
Installation Height	4-6m
Lamp Weight(kg)	5.3
Gross(kg)	5.7
Packing Size(mm)	615×323×180

All parameters are measured at 25°C ambient temperature, 35% humidity experimental environment

EFX-XJRA2 The style of the pole



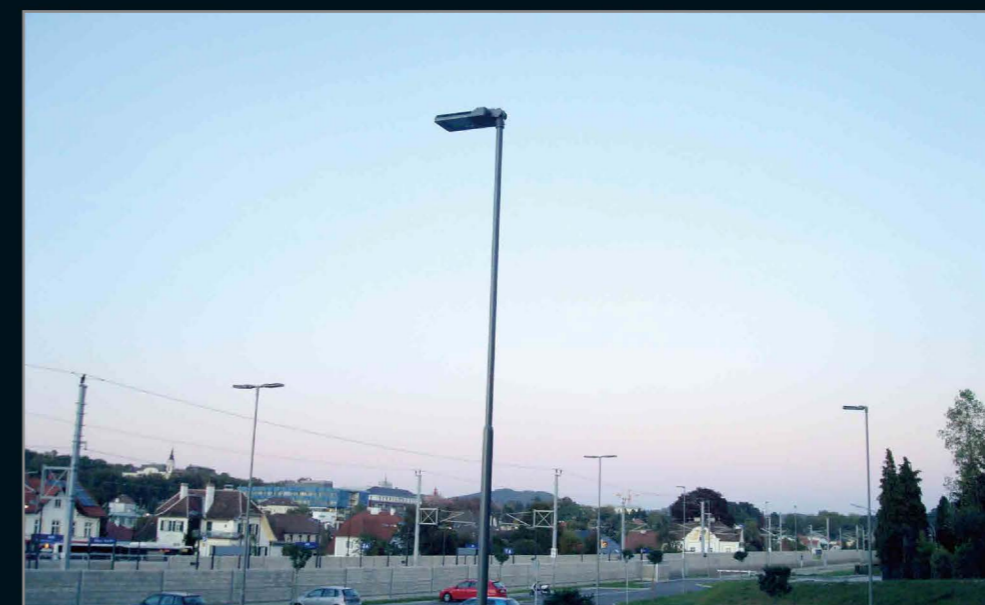
Recommended setup for installation



Specification

Product Code	EFX-XJRA1-30L	EFX-XJRA1-60L	EFX-XJRA1-90L	EFX-XJRA1-120L	EFX-XJRA1-160L	EFX-XJRA1-180L
Installation Height(h)	4-6m	6-8m	8-10m	10-12m	12-14m	12-14m
Distance between two lights(a)	20~25m	20~30m	30~35m	35~40m	35~40m	38~43m
Road Width(b)	8m/Single Lane	20m/Two Lane	20m/Four Lane	20m/Four Lane	24m/SIX Lane	24m/SIX Lane
Arrangement	Double Row Symmetry	Double Row Symmetry	Double Row Symmetry	Double Row Symmetry	Double Row Symmetry	Double Row Symmetry
Average Illumination Intensity	8-12lux	10-15lux	15-20lux	15-20lux	15-20lux	15-20lux
Central Illumination Intensity	10-15lux	15-20lux	25-30lux	25-30lux	25-30lux	25-30lux
Installation Environment	Garden	Garden /Minor Road	Main Road/ Minor Road	Main Road/ Minor Road	High way / Main Road	High way / Main Road
Temperature of Working Condition	-35°C~50°C	-35°C~50°C	-35°C~50°C	-35°C~50°C	-35°C~50°C	-35°C~50°C
Humidity of Working Condition	10%~90%	10%~90%	10%~90%	10%~90%	10%~90%	10%~90%
Installation Tube Diameter	Φ48/Φ60mm	Φ48/Φ60mm	Φ60/Φ76mm	Φ60/Φ76mm	Φ60/Φ76mm	Φ60/Φ76mm

LED Landscape Lights



www.eco-fx.co.uk

EcoFX
LED lighting solutions

Office 1, 192 Shoreham Street
Sheffield S1 4SQ, UK
T: +44(0) 114 321 9610
E: enquiries@eco-fx.co.uk

Global Partner

Eco-FX
Smarter LED Lighting Solutions
Australia

